

LIGHTING FOR THE UNEXPECTED

FEITUO
SINCE 1992



NINGBO FEITUO ELECTRIC APPLIANCE COMPANY LIMITED
VIET NAM FEITUO ELECTRIC APPLIANCE COMPANY LIMITED

China Address: NO.546,Qiye Road,Zhouxiang Town,Cixi City,Ningbo,China
Vietnam Address: Land Lot CN2-05, Nam Dinh Vu Non-tariff zone and Industrial Park (Zone 1),
within Dinh Vu - Cat Hai Economic Zone, Dong Hai 2 Ward, Hai An District, Hai Phong City.
Tel: +86-574-87387582
MP: +86-135-6655-7272
Fax: +86-574-87387580
E-mail: info@feituo.net
Homepage: <http://www.feituo.net>

- ————— **Exit Sign**
- ————— **Emergency Light**
- ————— **Led Emergency Driver**



Factory Covers Area:
20,000 Square Meters

Facility and Production Area:
50,000 Square Meters



Factory Covers Area:
23,000 Square Meters

Facility and Production Area:
15,000 Square Meters



Emergency Light | Exit Sign | Led Emergency Driver



Emergency Light | Exit Sign | Led Emergency Driver



About us

Ningbo Feituo Electric Appliance Co., LTD was founded in 1990 as an all-around enterprise engaged in the development, production, sale and service of lighting and electrical products for markets worldwide. With a staff of over 600 people at our facility, the production, warehouse and office areas cover over 70,000 square meters and incorporates state of the art technologies in product design and manufacturing processes.

Feituo's main product lines are LED Emergency and Security lighting, LED Exit sign, Emergency battery backup for LED fixtures, Explosion Proof Emergency lights, Rechargeable lamps and etc. The combined technologies of LED light sources, rechargeable battery expertise and comprehensive plastics molding capabilities makes us the premier supplier to a number of international companies.

With a quality tradition that dates back to 1997, Feituo passed ISO9001 certification in 1998 and has maintained its ISO Certification as a commitment to international practice. The corporate strategy is "vitalizing Feituo through science and technology while delivering highest quality to the markets we serve". We test 100% of our products, to SACI standards, and have met the rigorous safety requirements of UL, FCC, Title 20(USA), CE (Europe) and GS (Germany). Feituo sells to over eighty countries in the Americas, Europe, Africa, Asia and the Middle East. The company is located in the city of Ningbo, one of the largest port areas in China. This provides easy access to international trade routes and convenient, cost effective transportation options.

The people of Feituo have high aspirations: to produce quality products, meet customer's demands and make a better life for all! With this in mind, the people of Feituo will work much harder and constantly pursue a bright future!

Any business inquiry and cooperation suggestion is welcomed and highly appreciated.

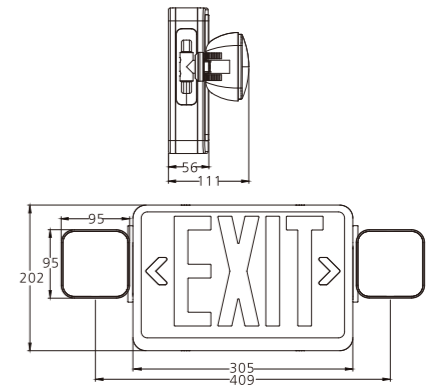
Emergency Light | Exit Sign | Led Emergency Driver



Bi-Color Red/Green LED's

Features:

- Injection-molded, flame-retardant, high-impact, thermoplastic housing.
- Innovative, easy installation in minutes.
- Red lettering can be switched to Green.
- SALIDA faceplate available.
- Single or double face(Universal)
- Universal J-box mounting pattern.
- 120/277VAC Dual Voltage operation.
- 2*8 pcs ultra bright 2835 SMT LED lamp heads for emergency mode.
- Built-in 3.6V 1200mAh NI-MH battery for minimum 90 minutes emergency operation.
- Built-in 3.6V 2400 mAh NI-MH battery for minimum 90 minutes emergency operation.(JLEC2BCWRC, Remote capability up to 2W)
- UL and cULus Listed.
- Three years warranty.
- **With self-diagnostic functions listed,For Monthly self-diagnostic and Annually self-diagnostic.**
- 120V-277VAC Universal voltage operation.
- Built-in 3.6V1200mAh Ni-MH Battery for minimum 90 minutes emergency operation.(ZC-JLEC2BCW)
- Built-in 3.6V2400mAh Ni-MH Battery for minimum 90 minutes emergency operation.(ZC-JLEU2BCWRC Remote capability up to 2W)



Ordering information

Model No.	Packing information	Options
JLEC2BCW	50x44x38.5cm/6pcs 12.6/11.6kgs	Housing Color: White/Black
JLEC2BCWRC	50x44x38.5cm/6pcs 13.0/12.0kgs	2W Remote Capability
JLEC2BCW-SA	50x44x38.5cm/6pcs 12.6/11.6kgs	Lens: RED/GREEN



UL US RoHS COMPLIANT CEC DOE FC

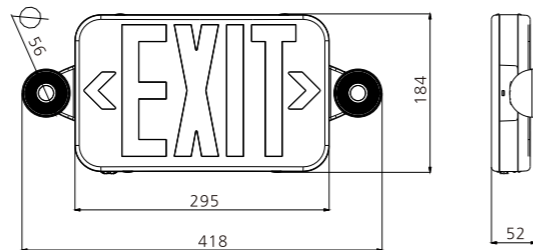
New



Bi-Color Red/Green LED's

Features:

- Injection-molded, flame-retardant, high-impact, thermoplastic housing.
- Innovative, easy installation in minutes.
- Red lettering can be switched to Green.
- SALIDA faceplate available.
- Single or double face(Universal)
- Universal J-box mounting pattern.
- 120-277VAC Universal Voltage operation.
- 2x1W 2835 SMT LED lamp heads for emergency mode.
- Built-in 3.6V 1000mAh NI-MH battery for minimum 90 minutes emergency operation.
- Built-in 3.6V 2000 mAh NI-MH battery for minimum 90 minutes emergency operation.(JLECE2BCWRC, Remote capability up to 2W)
- UL and cULus Listed.
- Three years warranty.
- **With self-diagnostic functions listed,For Monthly self-diagnostic and Annually self-diagnostic.**
- 120V-277VAC Universal voltage operation.
- Built-in 3.6V1000mAh Ni-MH Battery for minimum 90 minutes emergency operation.(ZC-JLECE2BCW)
- Built-in 3.6V2000mAh Ni-MH Battery for minimum 90 minutes emergency operation.(ZC-JLECE2BCWRC Remote capability up to 2W)



Ordering information

Model No.	Packing information	Options
JLECE2BCW	45x41x23cm/6pcs 6.2/5.2kgs	Housing Color: White/Black
JLECE2BCWRC	45x41x23cm/6pcs 8/7kgs	2W Remote Capability
JLECE2BCW-S	45x41x23cm/6pcs 6.2/5.2kgs	Lens: RED/GREEN



UL US RoHS COMPLIANT CEC DOE FC

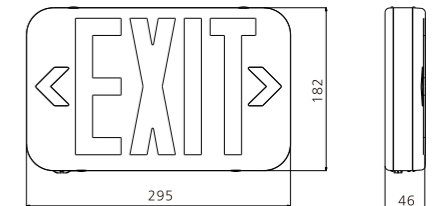
New



Bi-Color Red/Green LED's

Features:

- Injection-molded, flame-retardant, high-impact, thermoplastic housing.
- Innovative, easy installation in minutes.
- Red lettering can be switched to Green.
- SALIDA faceplate available.
- Single or double face(Universal)
- Universal J-box mounting pattern.
- 120/277VAC Dual Voltage operation.
- Ultra bright RED or GREEN LEDs.
- Built-in 1.2V 1000mAh NI-MH battery for minimum 90 minutes emergency operation.
- UL and cULus Listed.
- Three years warranty.
- **With self-diagnostic functions listed,For Monthly self-diagnostic and Annually self-diagnostic.**
- 120V-277VAC Universal voltage operation
- Built-in 3.6V500mAh Ni-MH Battery for minimum 90 minutes emergency operation.(ZC-EZCXTEU2BCWEM)



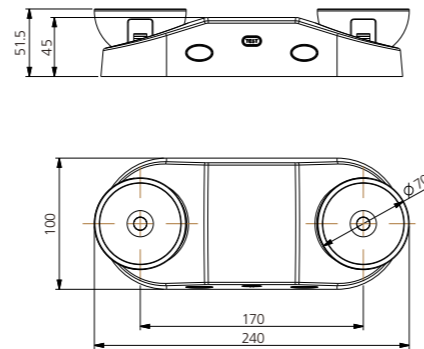
Ordering information

Model No.	Packing information	Options
EZCXTEU2BCWEM	39x32x22.5cm/6pcs 6.4/5.4kgs	Housing Color: White/Black
EZCXTEU2BCW	39x32x22.5cm/6pcs 5.8/4.8kgs	Lens: RED/GREEN



Features:

- Injection-molded, flame-retardant, high-impact, thermoplastic housing.
- Self-test functions: Monthly test, Year test
- Innovative, easy installation in minutes
- Suitable for wall mount applications
- Universal J-box mounting pattern.
- 120V-277VAC Universal voltage operation.
- 2pcs 1W ultra bright 3030 SMT LED lamp heads for emergency mode..
- Built-in 3.6V 1000mAh Ni-MH battery for minimum 90 minutes emergency operation.(JLEU8-SD With self-test functions)
- Built-in 3.6V 2000mAh Ni-MH battery for minimum 90 minutes emergency operation.(JLEU8-RC, JLEU8-SD-RC, Remote capability up to 3W).
- Maximum 24 hours for full recharge time.
- Test switch and charge indicator.
- UL and cULus listed.
- 0" to 40 C indoor damp location listed.
- Three years warranty.



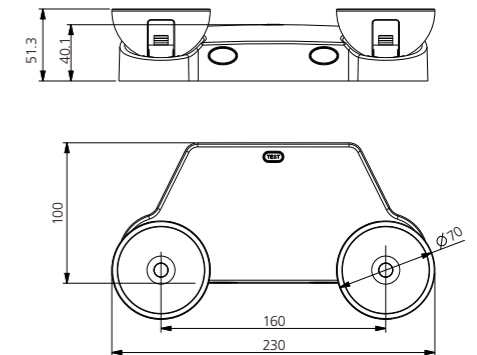
Ordering information

Model No.	Packing information	Options
JLEU8	36X25X22.5cm/12pcs 5/4kgs	Housing Color: White/Black
JLEU8RC	36X25X22.5cm/12pcs 7/6kgs	RC remote capability
JLEU8-SD	36X25X22.5cm/12pcs 5/4kgs	SD self-test functions
JLEU8-SD-RC	36X25X22.5cm/12pcs 7/6kgs	



Features:

- Injection-molded, flame-retardant, high-impact, thermoplastic housing .
- Self-test functions: Monthly test, Year test
- Innovative, easy installation in minutes
- Suitable for wall mount applications
- Universal J-box mounting pattern.
- 120V-277VAC Universal voltage operation.
- 2pcs 1W ultra bright 3030 SMT LED lamp heads for emergency mode.
- Built-in 3.6V 1000mAh Ni-MH battery for minimum 90 minutes emergency operation.(JLEU16-SD With self-test functions)
- Built-in 3.6V 2000mAh Ni-MH battery for minimum 90 minutes emergency operation.(JLEU16-RC, JLEU16-SD-RC, Remote capability up to 3W).
- Maximum 24 hours for full recharge time.
- Test switch and charge indicator.
- UL and cULus listed.
- 0" to 40 C indoor damp location listed.
- Three years warranty.



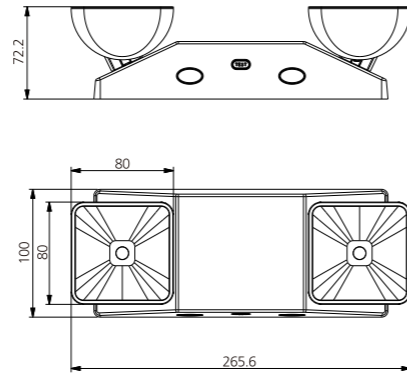
Ordering information

Model No.	Packing information	Options
JLEU16	36X25X21cm/12pcs 5/4kgs	Housing Color: White/Black
JLEU16RC	36X25X21cm/12pcs 7/6kgs	RC remote capability
JLEU16-SD	36X25X21cm/12pcs 5/4kgs	SD self-test functions
JLEU16-SD-RC	36X25X21cm/12pcs 7/6kgs	



Features:

- Injection-molded, flame-retardant, high-impact, thermoplastic housing.
- Self-test functions: Monthly test, Year test
- Innovative, easy installation in minutes
- Suitable for wall mount applications
- Universal J-box mounting pattern.
- 120V-277VAC Universal voltage operation.
- 2pcs 1W ultra bright 3030 SMT LED lamp heads for emergency mode.
- Built-in 3.6V 1000mAh Ni-MH battery for minimum 90 minutes emergency operation. (JLEU18-SD With self-test functions)
- Built-in 3.6V 2000mAh Ni-MH battery for minimum 90 minutes emergency operation. (JLEU18-RC, JLEU18-SD-RC, Remote capability up to 3W).
- Maximum 24 hours for full recharge time.
- Test switch and charge indicator.
- UL and cULus listed.
- 0° to 40° C indoor damp location listed.
- Three years warranty.



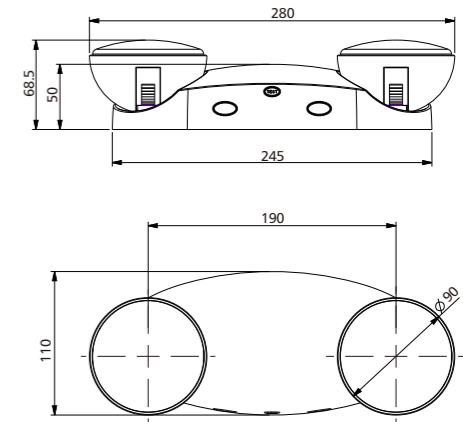
Ordering information

Model No.	Packing information	Options
JLEU18	44X28.5X25cm/12pcs 5/4kgs	Housing Color: White/Black
JLEU18RC	44X28.5X25cm/12pcs 7/6kgs	RC remote capability
JLEU18-SD	44X28.5X25cm/12pcs 5/4kgs	SD self-test functions
JLEU18-SD-RC	44X28.5X25cm/12pcs 7/6kgs	



Features:

- Injection-molded, flame-retardant, high-impact, thermoplastic housing.
- Innovative, easy installation in minutes.
- Suitable for wall mount applications.
- Universal J-box mounting pattern.
- 120-277VAC Dual voltage operation.
- 2X12pcs ultra bright 2835 SMT LED lamp heads for emergency mode.
- Built-in 3.6V1000mAh Nickel cadmium battery for minimum 90 minutes emergency operation.
- Maximum 24 hours for full recharge time.
- Test switch and charge indicator.
- UL and cULus listed.
- 0° to 40° C indoor damp location listed.
- Three years warranty.



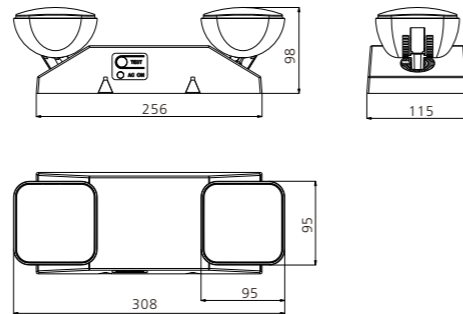
Ordering information

Model No.	Packing information	Options
JLEU13	30x25x26cm/6pcs 3.4/2.6kgs	Housing Color: White/Black



Features:

- Injection-molded, flame-retardant, high-impact, thermoplastic housing.
- Innovative, easy installation in minutes.
- Suitable for wall mount applications.
- Universal J-box mounting pattern.
- 120V/277VAC Dual voltage operation.
- 2X12pcs ultra bright 2835 SMT LED lamp heads for emergency mode. (JLEU9)
- Low profile 2X8pcs ultra bright 2835 SMT LED lamp heads for emergency mode(JLEU9L)
- Built-in 3.6V600mAh Nickel cadmium battery for minimum 90 minutes emergency operation. (JLEU9L)
- Built-in 3.6V1000mAh Nickel cadmium battery for minimum 90 minutes emergency operation. (JLEU9)
- Built-in 3.6V2000mAh Nickel cadmium battery for minimum 90 minutes emergency operation. (JLEU9RC,Remote capability up to 2W)
- UL and cULus listed.
- Three years warranty.
- With self-diagnostic functions listed,For Monthly self-diagnostic and Annually self-diagnostic.**
- 120V-277VAC Universal voltage operation.
- Built-in 3.6V1000mAh Ni-MH Battery for minimum 90 minutes emergency operation. (ZC-JLEU9)
- Built-in 3.6V2000mAh Ni-MH Battery for minimum 90 minutes emergency operation.(ZC-JLEU9RC Remote capability up to 2W).



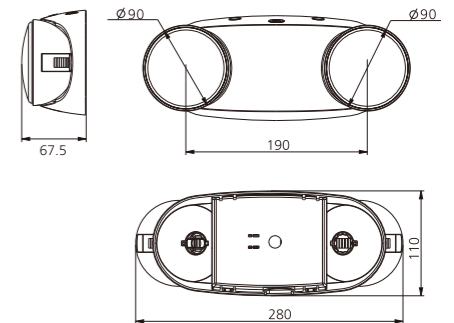
Ordering information

Model No.	Packing information	Options
JLEU9L	41x33x23.5cm/6pcs 4.0/2.7kgs	Housing Color: White/Black
JLEU9	41x33x23.5cm/6pcs 4.3/3.0kgs	Remote capability
JLEU9RC	41x33x23.5cm/6pcs 5.0/4.0kgs	



Features:

- Injection-molded, flame-retardant, high-impact, thermoplastic housing.
- Innovative, easy installation in minutes.
- Suitable for wall mount applications.
- Universal J-box mounting pattern.
- 120V/277VAC Dual voltage operation.
- 2X12pcs ultra bright 2835 SMT LED lamp heads for emergency mode.
- Built-in 3.6V1000mAh Nickel cadmium battery for minimum 90 minutes emergency operation. (JLEU5)
- Built-in 3.6V2000mAh Nickel cadmium battery for minimum 90minutes emergency operation. (JEU5RC,Remote capability up to 2W)
- UL and cULus listed.
- Three years warranty.
- With self-diagnostic functions listed,For Monthly self-diagnostic and Annually self-diagnostic.**
- 120V-277VAC Universal voltage operation.
- Built-in 3.6V1000mAh Ni-MH Battery for minimum 90 minutes emergency operation.(ZC-JLEU5).
- Built-in 3.6V2000mAh Ni-MH Battery for minimum 90 minutes emergency operation.(ZC-JLEU5RC Remote capability up to 2W).



Ordering information

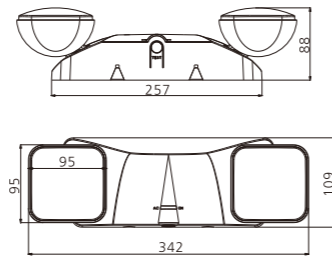
Model No.	Packing information	Options
JLEU5	30x24x24.5cm/6pcs 3.2/2.2kg	Housing Color: White/Black
JLEU5RC	30x24x24.5cm/6pcs 3.8/2.8kg	Remote capability



UL US RoHS COMPLIANT CEC
DOE FC

Features:

- Injection-molded, flame-retardant, high-impact, thermoplastic housing.
- Innovative, easy installation in minutes.
- Suitable for wall mount applications.
- Universal J-box mounting pattern.
- 120V/277VAC Dual voltage operation.
- 2X12pcs ultra bright 2835 SMT LED lamp heads for emergency mode.
- Built-in 3.6V1000mAh Nickel cadmium battery for minimum 90 minutes emergency operation. (JLEU3)
- Built-in 3.6V2000mAh Nickel cadmium battery for minimum 90 minutes emergency operation. (JLEU3RC, Remote capability up to 2W)
- Maximum 24 hours for full recharge time.
- Test switch and charge indicator.
- UL and cULus listed.
- 0° to 40° C indoor damp location listed.
- Three years warranty.



Ordering information

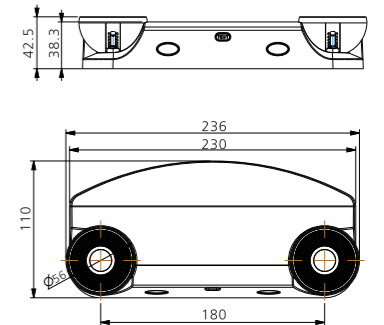
Model No.	Packing information	Options
JLEU3	37x21x38cm/6pcs 5/4kgs	Housing Color: White/Black
JLEU3RC	37x21x38cm/6pcs 5.5/4.5kgs	Remote capability



UL US RoHS COMPLIANT CEC
DOE FC

Features:

- Injection-molded, flame-retardant, high-impact, thermoplastic housing.
- Innovative, easy installation in minutes.
- Suitable for wall mount applications.
- Universal J-box mounting pattern.
- 120V-277VAC Universal voltage operation.
- 2pcs 1W ultra bright LED lamp heads for emergency mode.
- Luminous Flux: more than 200 LM.
- Built-in 3.6V1000mAh Ni-MH battery for minimum 90 minutes emergency operation.
- Maximum 24 hours for full recharge time.
- Test switch and charge indicator.
- UL and cULus listed.
- 0° to 40° C indoor damp location listed.
- Three years warranty.



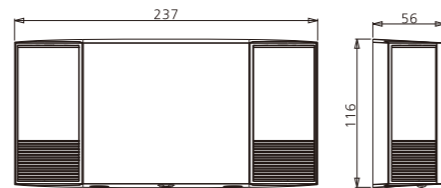
Ordering information

Model No.	Packing information	Options
JLEU15	35.5x24.5x21cm/12pcs 5/4kgs	Housing Color: White/Black



Features:

- Injection-molded, flame-retardant, high-impact, thermoplastic housing.
- Innovative, easy installation in minutes.
- Suitable for wall mount applications.
- Universal J-box mounting pattern.
- 120V-277VAC Universal voltage operation.
- 2X 4pcs 2835 LED lamp heads for emergency mode.
- Luminous Flux: more than 240 LM.
- Built-in 3.6V1000mAh Nickel cadmium battery for minimum 90 minutes emergency operation.
- Maximum 24 hours for full recharge time.
- Test switch and charge indicator.
- UL and cULus listed.
- 0° to 40° C indoor damp location listed.
- Three years warranty.



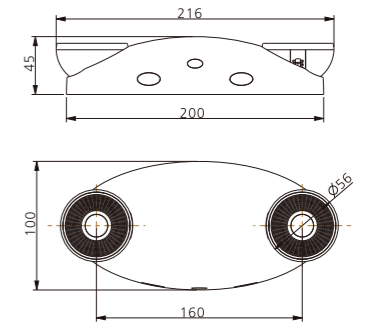
Ordering information

Model No.	Packing information	Options
JLEU12	40x27x15.5cm/6pcs 4.5/3.5kgs	Housing Color: White/Black



Features:

- Injection-molded, flame-retardant, high-impact, thermoplastic housing.
- Innovative, easy installation in minutes.
- Suitable for wall mount applications.
- Universal J-box mounting pattern.
- 120V/277VAC Dual voltage operation.
- 2pcs 1W ultra bright LED lamp heads for emergency mode.
- Luminous Flux: more than 200 LM.
- Built-in 3.6V1000mAh Nickel cadmium battery for minimum 90 minutes emergency operation.
- Maximum 24 hours for full recharge time.
- Test switch and charge indicator.
- UL and cULus listed.
- 0° to 40° C indoor damp location listed.
- Three years warranty.



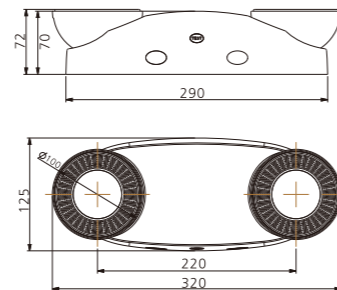
Ordering information

Model No.	Packing information	Options
JLEU10	36x24.5x26cm/12pcs 4.62/3.45kgs	Housing Color: White/Black



Features:

- Injection-molded, flame-retardant, high-impact, thermoplastic housing.
- Innovative, easy installation in minutes
- Suitable for wall mount applications
- Universal J-box mounting pattern
- 120V -277VAC Universal voltage operation
- 2X3pcs Super bright LED lamp heads for emergency mode, provide more than 650Lm output.
- Built-in 6V4AH Lead Acid battery for minimum 90 minutes emergency operation.
- Maximum 24 hours for full recharge time
- Test switch and charge indicator
- UL and cULus listed
- 0° to 40°C indoor damp location listed
- Three years warranty.



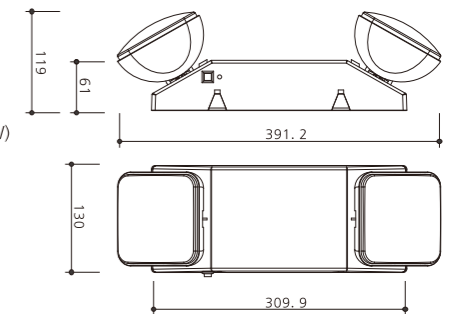
Ordering information

Model No.	Packing information	Options
JLEU6	35x29x26cm/6pcs 9.4/8.2kgs	Housing Color: White/Black



Features:

- Injection-molded, flame-retardant, high-impact, thermoplastic housing.
- Innovative, easy installation in minutes.
- Suitable for wall mount applications.
- Universal J-box mounting pattern.
- 120V/277VAC Dual voltage operation.
- 2X12pcs ultra bright LED lamps heads for emergency mode.
- Built-in 3.6V1000mAh Nickel cadmium battery for minimum 90 minutes emergency operation. (JLEU1)
- Built-in 3.6V2000mAh Nickel cadmium battery for minimum 90 minutes emergency operation. (JLEU1RC, Remote capability up to 2W)
- Maximum 24 hours for full recharge time.
- Test switch and charge indicator.
- UL and cULus listed.
- 0° to 40° C indoor damp location listed.
- Three years warranty.



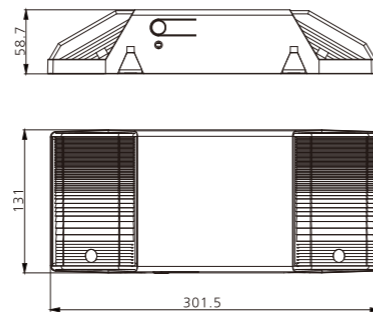
Ordering information

Model No.	Packing information	Options
JLEU1	43x32.5x38cm/6pcs 8/7kgs	Housing Color: White/Black
JLEU1RC	43x32.5x38cm/6pcs 9/8kgs	Remote capability



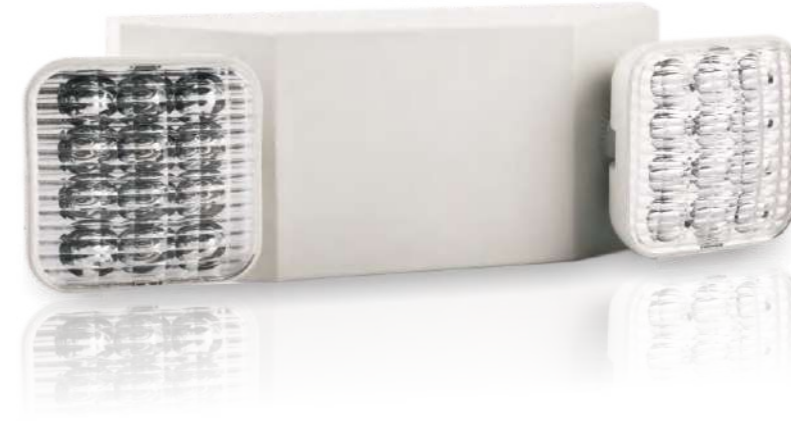
Features:

- Injection-molded, flame-retardant, high-impact, thermoplastic housing.
- Innovative, easy installation in minutes.
- Suitable for wall mount applications.
- Universal J-box mounting pattern.
- 120V/277VAC Dual voltage operation.
- 2X12pcs ultra bright 2835 SMT LED lamp heads for emergency mode.
- Built-in 3.6V1000mAh Nickel cadmium battery for minimum 90 minutes emergency operation.
- Maximum 24 hours for full recharge time.
- Test switch and charge indicator.
- UL and cULus listed.
- 0° to 40° C indoor damp location listed.
- Three years warranty.



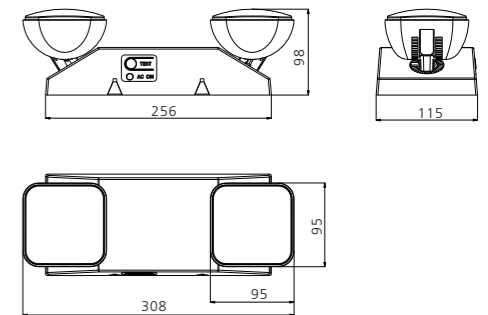
Ordering information

Model No.	Packing information	Options
JLEU4	32x30x28cm/6pcs 4. 6/3. 6kgs	Housing Color: White/Black



Features:

- Injection-molded, flame-retardant, high-impact, thermoplastic housing.
- Innovative, easy installation in minutes
- Suitable for wall mount applications
- Universal J-box mounting pattern
- 120V/277VAC Dual voltage operation
- 2X12pcs ultra bright $\Phi 5$ LED lamp heads for emergency mode(JLEU9C)
- Low profile 2X8pcs ultra bright $\Phi 5$ LED lamp heads for emergency mode(JLEU9CL)
- Built-in 3.6V600mAh Nickel cadmium battery for minimum 90 minutes emergency operation.(JLEU9CL)
- Built-in 3.6V1000mAh Nickel cadmium battery for minimum 90 minutes emergency operation.(JLEU9C)
- Built-in 3.6V2000mAh Nickel cadmium battery for minimum 90 minutes emergency operation.(JLEU9CRC,Remote capability up to 2.2W)
- Maximum 24 hours for full recharge time
- Test switch and charge indicator
- UL and cULus listed
- 0° to 40°C indoor damp location listed
- Three years warranty.



Ordering information

Model No.	Packing information	Options
JLEU9CL	40.7x32.5x23cm/6pcs 5/4kgs	Housing Color: White/Black
JLEU9C	40.7x32.5x23cm/6pcs 5.2/4.2kgs	Remote capability
JLEU9CRC	40.7x32.5x23cm/6pcs 5.5/4.5kgs	

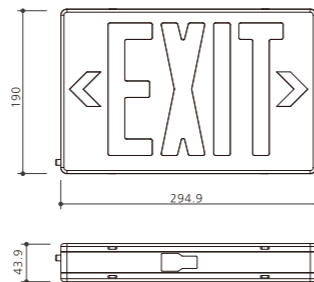


UL US RoHS COMPLIANT CEC
DOE FC



Features:

- Injection-molded, flame-retardant, high-impact, thermoplastic housing.
- Innovative, easy installation in minutes.
- Letters 6" height with 3/4" stroke. Optional RED or GREEN letters.
- SALIDA faceplate available.
- Single or double face(Universal)
- Universal J-box mounting pattern.
- 120V/277VAC Dual voltage operation.
- Ultra bright RED or GREEN LEDs.
- Built-in 1.2V1000mAh Nickel cadmium battery for minimum 90 minutes emergency operation.
- Maximum 24 hours for full recharge time.
- Test switch and charge indicator.
- UL and cULus listed.
- 0° to 40° C indoor damp location listed.
- Three years warranty.



Ordering information

Model No.	Packing information	Options
JEE2RWE	40x33x23cm/6pcs 6.4/5.4kgs	Housing Color:White/Black
JEE2GWE	40x33x23cm/6pcs 6.4/5.4kgs	Lens: RED/GREEN
JEE2RW AC ONLY	40x33x23cm/6pcs 5.8/4.8kgs	Letter: EXIT/SALIDA
JEE2GW AC ONLY	40x33x23cm/6pcs 5.8/4.8kgs	
JEE2GW-SALIDA	40x33x23cm/6pcs 5.8/4.8kgs	

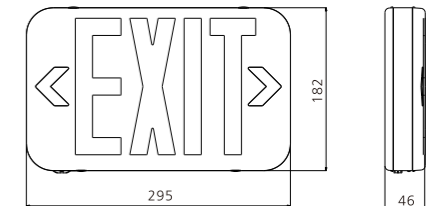


UL US RoHS COMPLIANT CEC
DOE FC



Features:

- Injection-molded, flame-retardant, high-impact, thermoplastic housing.
- Innovative, easy installation in minutes
- Letters 6" height with 3/4" stroke. Optional RED or GREEN letters.
- SALIDA faceplate available.
- Single or double face(Universal).
- Universal J-box mounting pattern
- 120V/277VAC Dual voltage operation
- Ultra bright RED or GREEN LEDs
- Built-in 1.2V900mAh Nickel cadmium battery for minimum 90 minutes emergency operation.
- Maximum 24 hours for full recharge time
- Test switch and charge indicator
- UL and cULus listed
- 0° to 40°C indoor damp location listed
- Three years warranty.



Ordering information

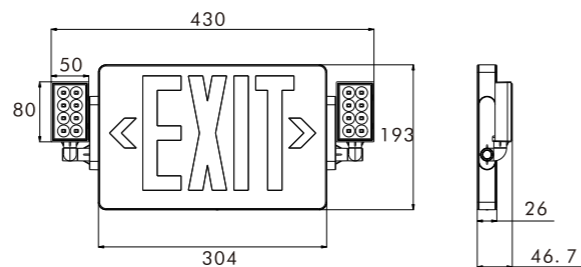
Model No.	Packing information	Options
EZCXTEU2RWEM	39x32x22.5cm/6pcs 6.4/5.4kgs	Housing Color: White/Black
EZCXTEU2GWEM	39x32x22.5cm/6pcs 6.4/5.4kgs	Lens: RED/GREEN
EZCXTEU2RW	39x32x22.5cm/6pcs 5.8/4.8kgs	AC ONLY
EZCXTEU2GW	39x32x22.5cm/6pcs 5.8/4.8kgs	AC ONLY



UL US RoHS COMPLIANT CEC
DOE FC

Features:

- Injection-molded, flame-retardant, high-impact, thermoplastic housing.
- Innovative, easy installation in minutes.
- Ultra thin Exit sign and Combo.
- Letters 6 height with 3/4 stroke
- Single or double face(Universal)
- Universal J-box mounting pattern.
- 120V-277VAC Universal voltage operation
- Ultra bright RED or GREEN LEDs.
- Built-in 1.2V1000mAh Ni-MH battery for minimum 90 minutes emergency operation.(Model: JLEED2RWEM/ JLEED2GWEM)
- Built-in 3.6V1000mAh Ni-MH battery for minimum 90 minutes emergency operation.(Model: JLECD2RW/ JLECD2GW)
- Maximum 24 hours for full recharge time.
- Test switch and charge indicator.
- UL and cULUs listed.
- 0° to 40° indoor damp location listed.
- Three years warranty.



Ordering information

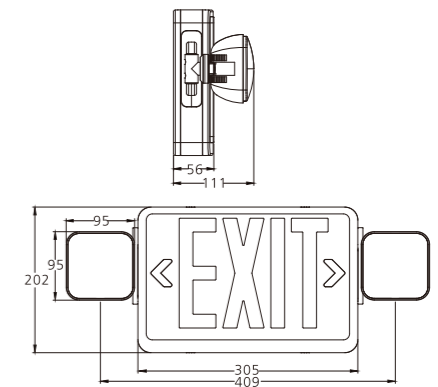
Model No.	Packing information	Options
JLECD2RW	47x28x23cm/4pcs 4.7/3.7kgs	Housing_Color: White/Black
JLECD2GW	47x28x23cm/4pcs 4.7/3.7kgs	Lens: RED/GREEN
JLEED2RWEM	33x40x22cm/12pcs 11.5/10.5kgs	Letter: EXIT/SALIDA
JLEED2GWEM	33x40x22cm/12pcs 11.5/10.5kgs	
JLEED2RW	33x40x22cm/12pcs 11.3/10.3kgs	AC ONLY
JLEED2GW	33x40x22cm/12pcs 11.3/10.3kgs	AC ONLY

UL US RoHS COMPLIANT CEC
DOE FC



Features:

- Injection-molded, flame-retardant, high-impact, thermoplastic housing.
- Innovative, easy installation in minutes.
- Letters 6" height with 3/4" stroke. Optional RED or GREEN letters.
- SALIDA faceplate available.
- Single or double face(Universal)
- Universal J-box mounting pattern.
- 120V/277VAC Dual voltage operation.
- 2X12pcs ultra bright 2835 SMT LED lamp heads for emergency mode.
- Built-in 9.6V600mAh Nickel cadmium battery for minimum 90 minutes emergency operation.
- Built-in 9.6V1000mAh Nickel cadmium battery for minimum 90 minutes emergency operation. (JLEC2RWRC, Remote capability up to 2W)
- Maximum 24 hours for full recharge time.
- Test switch and charge indicator.
- UL and cULUs listed.
- 0° to 40° C indoor damp location listed.
- Three years warranty.



Ordering information

Model No.	Packing information	Options
JLEC2RW	50x44x38.5cm/6pcs 12.6/11.6kgs	Housing Color: White/Black
JLEC2GW	50x44x38.5cm/6pcs 12.6/11.6kgs	Remote capability
JLEC2RWRC	50x44x38.5cm/6pcs 13.0/12.0kgs	Lens: RED/GREEN
JLEC2GW-SA	50x44x38.5cm/6pcs 12.6/11.6kgs	

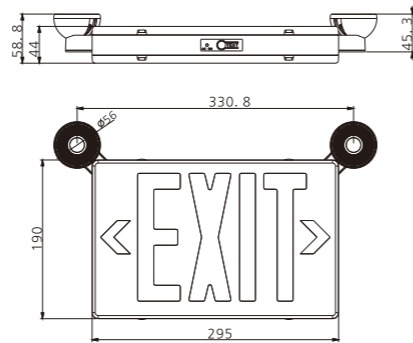


cUL^{us} RoHS COMPLIANT CEC
DOE FC



Features:

- Injection-molded, flame-retardant, high-impact, thermoplastic housing.
- Innovative, easy installation in minutes.
- Letters 6" height with 3/4" stroke. Optional RED or GREEN letters.
- SALIDA faceplate available.
- Single or double face(Universal)
- Universal J-box mounting pattern.
- 120V/277VAC Dual voltage operation.
- 2X1W SMT LED lamp heads for emergency mode.
- Built-in 3.6V1000mAh Nickel cadmium battery for minimum 90 minutes emergency operation.
- Built-in 3.6V2000mAh Nickel cadmium battery for minimum 90 minutes emergency operation. (JLECB2RWRC)
- Maximum 24 hours for full recharge time.
- Test switch and charge indicator.
- UL and cULus listed.
- 0° to 40° C indoor damp location listed.
- Three years warranty.



Ordering information

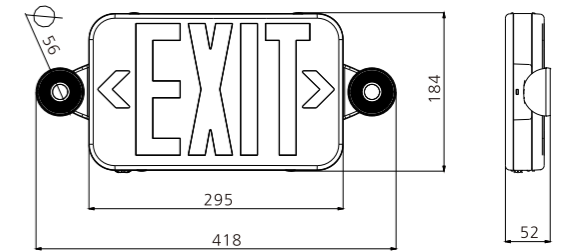
Model No.	Packing information	Options
JLECB2RW	40x33x23cm/6pcs 8.6/7.6kgs	Housing Color: White/Black
JLECB2GW	40x33x23cm/6pcs 8.6/7.6kgs	Lens: Red/Green, Letter: EXIT/SALIDA
JLECB2RWRC	40x33x23cm/6pcs 9.2/8.2kgs	Remote capability



cUL^{us} RoHS COMPLIANT CEC
DOE FC

Features:

- Injection-molded, flame-retardant, high-impact, thermoplastic housing.
- Innovative, easy installation in minutes.
- Letters 6" height with 3/4" stroke. Optional RED or GREEN letters.
- SALIDA faceplate available.
- Single or double face(Universal)
- Universal J-box mounting pattern.
- 120V -277VAC Universal voltage operation.
- 2X1W SMT LED lamp heads for emergency mode.
- Built-in 3.6V1000mAh Ni-MH battery for minimum 90 minutes emergency operation.
- Built-in 3.6V2000mAh Ni-MH battery for minimum 90 minutes emergency operation. (JLECE2RWRC)
- Maximum 24 hours for full recharge time.
- Test switch and charge indicator.
- UL and cULus listed.
- 0° to 40° C indoor damp location listed.
- Three years warranty.



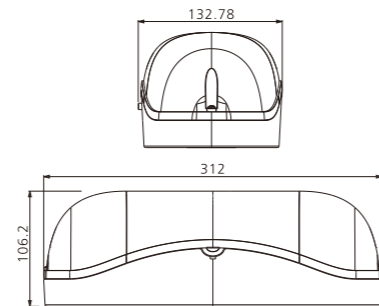
Ordering information

Model No.	Packing information	Options
JLECE2RW	45x41x23cm/6pcs 6.2/5.2kgs	Housing Color: White/Black
JLECE2GW	45x41x23cm/6pcs 6.2/5.2kgs	Lens: Red/Green, Letter: EXIT/SALIDA
JLECE2RWRC	45x41x23cm/6pcs 8/7kgs	Remote capability



Features:

- Injection molded, flameretardant, highimpact, thermoplastic housing and polycarbonate cover.
- Innovative, easy installation in minutes
- Suitable for wall and ceiling mount applications
- Universal J-box mounting pattern
- 120V/277VAC Dual voltage operation
- 2X12pcs Super bright 2835 0.5W LED lamp heads for emergency mode, provide more than 400Lm output.
- Built-in 3.6V2000mAh Nickel cadmium battery for minimum 90 minutes emergency operation.
- Maximum 24 hours for full recharge time
- Test switch and charge indicator
- UL and cULus Wet location listed
- 0° to 40°C outdoor damp location listed
- Three years warranty.



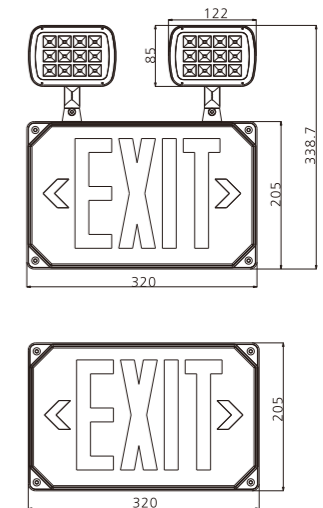
Ordering information

Model No.	Packing information	Options
JLEU5WP	45.5x34.5x28cm/6pcs 4.8/3.8kgs	Housing Color: White/Black/Grey



Features:

- Injection molded, flameretardant, highimpact, thermoplastic housing and polycarbonate cover.
- Innovative, easy installation in minutes
- Letters 6" height with 3/4" stroke. Optional RED or GREEN letters.
- Universal J-box mounting pattern
- 120V/277VAC Dual voltage operation
- Single or double face(Universal).
- Built-in 3.6V500mAh Ni-Mh battery for minimum 90 minutes emergency operation.(JLWPEEW)
- Built-in 3.6V1200mAh Ni-Mh battery for minimum 90 minutes emergency operation.(JLWPECW)
- Maximum 24 hours for full recharge time
- Test switch and charge indicator
- UL and cULus Wet location listed
- 0° to 40°C outdoor damp location listed
- Three years warranty.



Ordering information

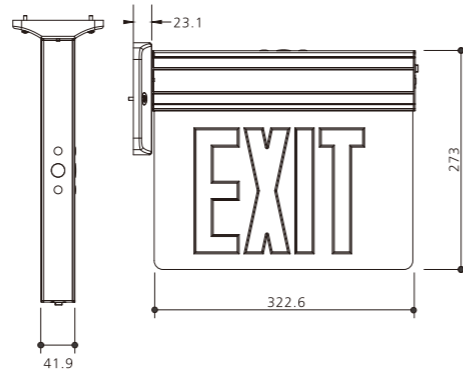
Model No.	Packing information	Options
JLWPEE1RW	44x35x24cm/6pcs 10/9kgs	Lens: Red/Green
JLWPEE1GW	44x35x24cm/6pcs 10/9kgs	Housing Color: White/Black/Grey
JLWPEE2RW	44x35x24cm/6pcs 13/12kgs	
JLWPEE2GW	44x35x24cm/6pcs 13/12kgs	
JLWPEC1RW	44x35x38cm/6pcs 12.4/11.4kgs	
JLWPEC1GW	44x35x38cm/6pcs 12.4/11.4kgs	
JLWPEC2RW	44x35x38cm/6pcs 15.4/14.4kgs	
JLWPEC2GW	44x35x38cm/6pcs 15.4/14.4kgs	



UL US RoHS COMPLIANT CEC
DOE FC

Features:

- Aluminum housing with high grade acrylic panel.
- Innovative, easy installation in minutes.
- Aluminum mounting plate allows top, back or end mount.
- Removable directional indicators.
- 120V/277VAC Dual voltage operation.
- Letter 6" height with 3/4" stroke. Super bright RED or GREEN LED lamps.
- Optional white or silver mylar.
- Built-in 3.6V600mAh Nickel cadmium battery for minimum 90 minutes emergency operation.
- Maximum 24 hours for full recharge time.
- Test switch and charge indicator.
- UL and cULus listed.
- 0° to 40° C indoor damp location listed.
- Three years warranty.



Ordering information

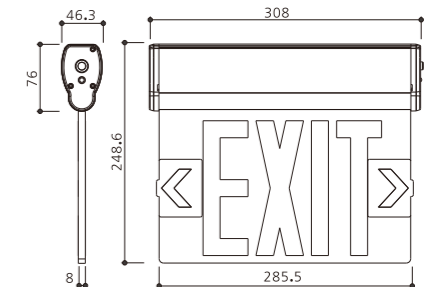
Model No.	Packing information	Options
JELEX1RC	38x37x30.5cm/6pcs 9.8/9.0kgs	Housing Color: White/Black/Aluminum
JELEX1GC	38x37x30.5cm/6pcs 9.8/9.0kgs	Panel: Clear/White/Mirror
JELEX2RM	38x37x30.5cm/6pcs 9.8/9.0kgs	Letter color: RED/GREEN
JELEX2GM	38x37x30.5cm/6pcs 9.8/9.0kgs	
JELEX2RW	38x37x30.5cm/6pcs 9.8/9.0kgs	
JELEX2GW	38x37x30.5cm/6pcs 9.8/9.0kgs	



Features:

- Aluminum housing with high grade acrylic panel.
- Innovative, easy installation in minutes.
- Plastic mounting plate allows top, back or end mount.
- Removable directional indicators.
- SALIDA SIGNS available
- 120V-277VAC Universal voltage operation.
- Super bright RED or GREEN LED lamps.
- Built-in 4.8V500mAh Ni-MH battery for minimum 90 minutes emergency operation.
- Maximum 24 hours for full recharge time.
- Test switch and charge indicator.
- Removable front cover for easy installation and battery aintenance.
- UL and cULus listed.
- 0° to 40° C indoor damp location listed.
- Three years warranty.

UL US RoHS COMPLIANT CEC
DOE FC



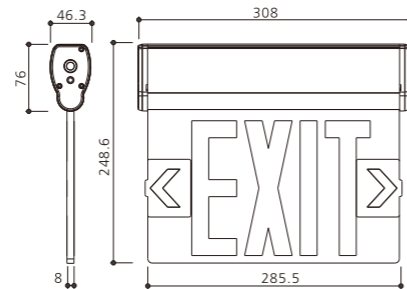
Ordering information

Model No.	Packing information	Options
JELBEX1RC	45x35x25cm/6pcs 9.0/8.0kgs	Housing Color: White/Black/Aluminum
JELBEX1GC	45x35x25cm/6pcs 9.0/8.0kgs	Panel: Clear/White/Mirror
JELBEX1RM	45x35x25cm/6pcs 9.0/8.0kgs	Letter color: RED/GREEN
JELBEX2RM	45x35x25cm/6pcs 9.0/8.0kgs	
JELBEX1GM	45x35x25cm/6pcs 9.0/8.0kgs	
JELBEX2GM	45x35x25cm/6pcs 9.0/8.0kgs	
JELBEX1RW	45x35x25cm/6pcs 9.0/8.0kgs	
JELBEX2RW	45x35x25cm/6pcs 9.0/8.0kgs	
JELBEX1GW	45x35x25cm/6pcs 9.0/8.0kgs	
JELBEX2GW	45x35x25cm/6pcs 9.0/8.0kgs	



Features:

- Injection molded, flameretardant, highimpact, thermoplastic housing and high grade acrylic panel.
- Innovative, easy installation in minutes.
- Plastic mounting plate allows top, back or end mount.
- Removable directional indicators.
- SALIDA SIGNS available
- 120V/277VAC Dual voltage operation.(120/347V dual voltage for Canada available)
- Super bright RED or GREEN LED lamps.
- Built-in 3.6V500mAh Ni-MH battery for minimum 90 minutes emergency operation.
- Maximum 24 hours for full recharge time.
- Test switch and charge indicator.
- Removable front cover for easy installation and battery aintenance.
- UL and cULus listed.
- 0° to 40° C indoor damp location listed.
- Three years warranty.



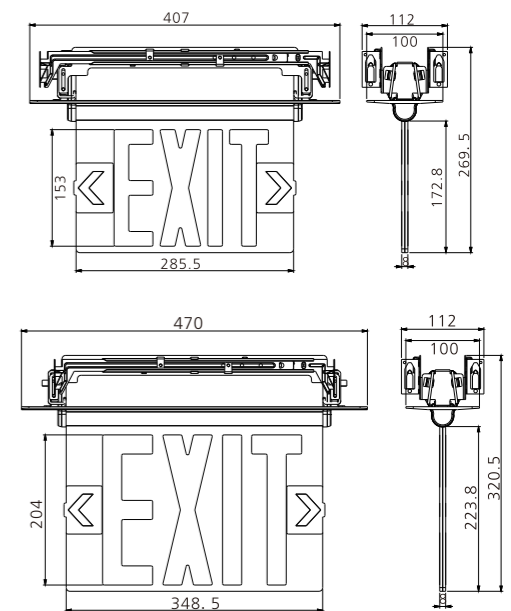
Ordering information

Model No.	Packing information	Options
JELCEX1RC	45x35x25cm/6pcs 8. 0/7. 0kgs	Housing color: White/Black
JELCEX1GC	45x35x25cm/6pcs 8. 0/7. 0kgs	Letter: EXIT/SALIDA
JELCEX1RM	45x35x25cm/6pcs 8. 0/7. 0kgs	
JELCEX2RM	45x35x25cm/6pcs 8. 0/7. 0kgs	
JELCEX1GM	45x35x25cm/6pcs 8. 0/7. 0kgs	
JELCEX2GM	45x35x25cm/6pcs 8. 0/7. 0kgs	
JELCEX1RW	45x35x25cm/6pcs 8. 0/7. 0kgs	
JELCEX2RW	45x35x25cm/6pcs 8. 0/7. 0kgs	
JELCEX1GW	45x35x25cm/6pcs 8. 0/7. 0kgs	
JELCEX2GW	45x35x25cm/6pcs 8. 0/7. 0kgs	



Features:

- Aluminum housing with high grade acrylic panel.
- Compatible with drywall or drop ceiling mount installations.
- Bar hangers included.
- Optional single/double face, 6" acrylic panels, with Silver or White Mylar
- 8" New York city compliant EXIT letters available(JNYREEL SERIES)
- Removable directional indicators.
- EXIT/SALIDA/RUNNING MAN SIGNS available
- 120V-277VAC Universal voltage operation
- Super bright RED or GREEN LED lamps.
- Built-in 3.6V500mAh Ni-MH battery for minimum 90 minutes emergency operation.
- Maximum 24 hours for full recharge time.
- Test switch and charge indicator.
- Removable front cover for easy installation and battery maintenance.
- UL and cULus listed.
- 0° to 40° C indoor damp location listed.
- Three years warranty.



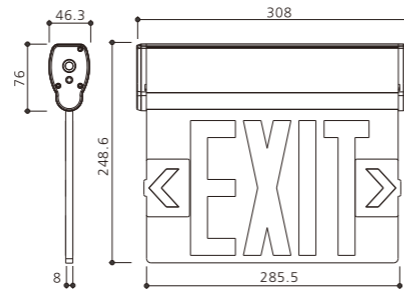
Ordering information

Model	No. of Faces	Letters	Panel	Notes			
JREEL	1	Single face	R	Red	C	Clear	6" Edge-lit
			M	Silver			
	2	Double face	G	Green	W	White	
JNYREEL	1	Single face	R	Red	C	Clear	8" New York Edge-lit
			M	Silver			
	2	Double face	G	Green	W	White	



Features:

- Injection molded, flameretardant, highimpact, thermoplastic housing and high grade acrylic panel.
- Innovative, easy installation in minutes.
- Plastic mounting plate allows top, back or end mount.
- Removable directional indicators.
- SALIDA SIGNS available
- 120V/277VAC Dual voltage operation.(120/347V dual voltage for Canada available)
- Super bright RED or GREEN LED lamps.
- Built-in 3.6V500mAh Ni-MH battery for minimum 90 minutes emergency operation.
- Maximum 24 hours for full recharge time.
- Test switch and charge indicator.
- Removable front cover for easy installation and battery aintenance.
- UL and cULus listed.
- 0° to 40° C indoor damp location listed.
- Three years warranty.



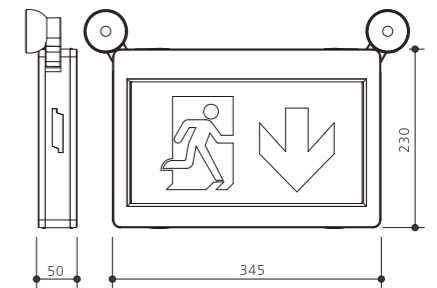
Ordering information

Model No.	Packing information	Options
JELCEX2WC-RM	45x35x25cm/6pcs 8. 0/7. 0kgs	Housing color: White/Black Letter: EXIT/SALIDA



Features:

- Injection-molded, flame-retardant, high-impact, thermoplastic housing.
- Innovative, easy installation in minutes.
- Easy replacement pictogram design.
- Single or double face.(Universal)
- Universal j-box mounting pattern.
- 120V/347VAC Dual voltage operation.
- 2x1 .2W LED lamp heads(for combo only)
- 2x2.4W LED lamp heads(for combo-HO only)
- Built-in 3.6V Nickel cadmium battery for minimum 90minutes emergency operation.
- cULus listed.
- Three years warranty.
- **With self-diagnostic functions listed,For Monthly self-diagnostic and Annually self-diagnostic.**
- 120V-347VAC Universal voltage operation.
- Built-in 3.6V600mAh Ni-MH Battery for minimum 90 minutes emergency operation.(ZC-JRMEEW)
- Built-in 3.6V2000mAh Ni-MH Battery for minimum 90 minutes emergency operation.(ZC-JRMECWRC Combo and Remote capabilith up to 2W)



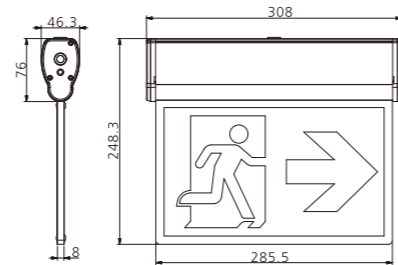
Ordering information

Model No.	Packing information	Options
JRMEEW	41x37x25cm/6pcs 11.5/10.5kgs	Housing Color: White/Black
JRMECW	41x37x25cm/6pcs 12/11kgs	Remote capability
JRMECWRC	41x37x25cm/6pcs 11.5/10.5kgs	
JRMECWHO	41x37x25cm/6pcs 12/11kgs	
JRMECWHORC	41x37x25cm/6pcs 13/12kgs	



Features:

- Aluminum housing with high grade acrylic panel.
- Innovative, easy installation in minutes.
- Plastic mounting plate allows top, back or end mount.
- 120V/347V Dual voltage operation.
- Super bright GREEN LED lamps.
- Built-in 4.8V500mAh Ni-MH battery for minimum 90 minutes emergency operation.
- Maximum 24 hours for full recharge time.
- Test switch and charge indicator.
- Removable front cover for easy installation and battery maintenance.
- CSA listed.
- 0° to 40° C indoor damp location listed.
- Three years warranty.



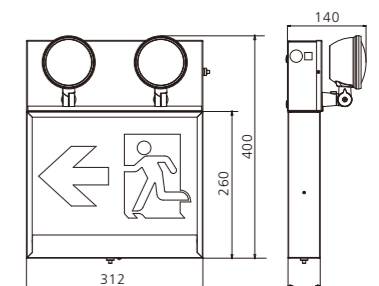
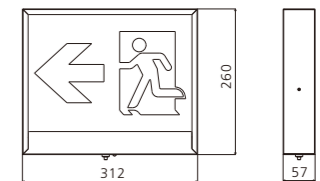
Ordering information

Model No.	Packing information	Options
JELRM	45x35x25cm/6pcs 9.0/8.0kgs	Housing color: White/Aluminum/Black



Features:

- Durable heavy duty steel housing.
- Innovative, easy installation in minutes.
- Universal j-box mounting pattern.
- 120V/347V Dual voltage operation
- 2X3W COB ultra bright LED lamp heads for emergency mode. (CALEDCXTEWRW/CALEDLXTEWRW)
- Built-in 4.8V2000mAh Nickel cadmium battery for minimum 90 minutes emergency operation. (CALEDXITWRW)
- Built-in 6V12Ah Lead acid battery for minimum 90 minutes emergency operation. (CALEDLXTEWRW)
- Maximum 24 hours for full recharge time.
- Test switch and charge indicator.
- CSA listed.
- 0° to 40°C indoor damp location listed.
- Three years warranty.



Ordering information

Model No.	Packing information	Options
CALEDXITWRW	38x32x36cm/4pcs 8/6.8kgs	Housing Color: White/Black
CALEDCXTEWRW	35x30x42cm/2pcs 13.6/12.6kgs	

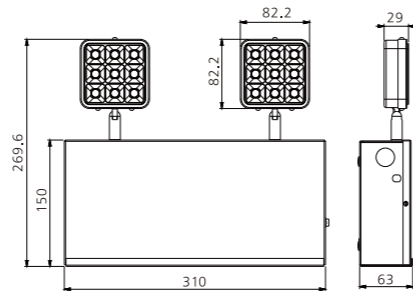


New

UL LISTED FC CEC E

Features:

- Universal 120V-277V voltage, 50/60Hz.
- 3W (2 LEDs x 1.5W) per head with a light output of 400/800 lumens total.
- Built in 9.6V900mAh long life, maintenance free, rechargeable Ni-MH battery
- Built in 9.6V1500mAh long life, maintenance free, recharge able Ni-MH battery. (HO models only)
- Internal solid-state transfer switch automatically connects the internal battery to LED board for minimum 90 minutes emergency illumination.
- Durable, powder-coated 20-gauge steel construction in white or black finish.
- Meets UL924, NFPA101 Life Safety Code, NEC, OSHA, Local and State Codes.
- Meets city of Chicago requirements.
- Certified to CEC under Title 20 Regulations.
- Three years warranty.



Ordering information

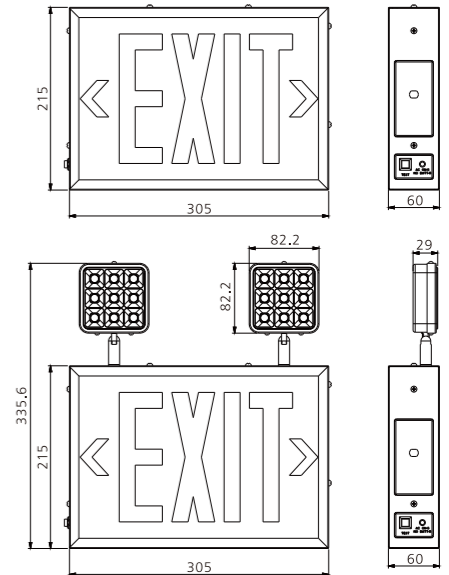
Model No.	Rated Voltage	Input Power	Lumen	Battery	Emergency Run Time	Packing Information
FT-STN1-W	120-277V	4.5W	≥400lm	Ni-MH 9.6V 900mAh	≥90 mins	36x34.5x27.5cm/4pcs 9.2/8.2kgs
FT-STN1-W-HO	120-277V	4.5W	≥800lm	Ni-MH 9.6V 1500mAh	≥90 mins	36x34.5x27.5cm/4pcs 9.4/8.4kgs
FT-STN1-W-RC	120-277V	4.5W	≥400lm	Ni-MH 9.6V 1500mAh	≥90 mins	36x34.5x27.5cm/4pcs 9.4/8.4kgs



UL LISTED FC CEC E

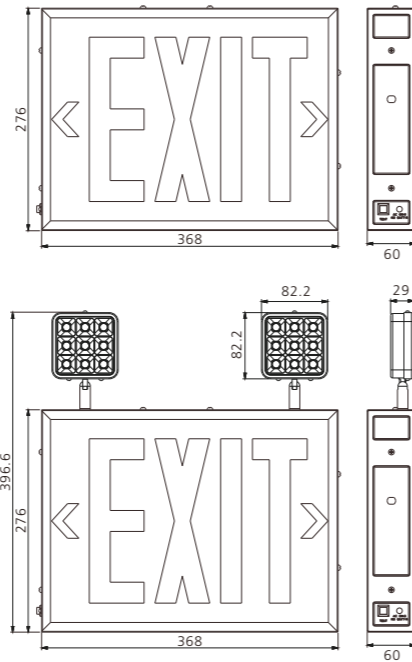
Features:

- Universal 120V-277V voltage, 50/60Hz.
- 2x9pcs ultra bright 5050 SMT LED provide a light output of 400/800 lumens total.
- Built-in long life, maintenance-free, rechargeable Ni-Cad battery (FT-NYEX series)
- Built-in long life, maintenance-free, rechargeable Ni-MH battery (Combo EM models only, FT-NYEc series)
- Internal solid-state transfer switch automatically connects the internal battery to LED board for minimum 90 minutes emergency illumination.
- Durable, powder-coated 20-gauge steel construction in white or black finish.
- UL listed for damp locations (0°-40°C).
- Meets UL924, NFPA101 Life Safety Code, NEC, OSHA, Local and State Codes.
- Meets city of New York requirements.
- Certified to CEC under Title 20 Regulations.
- Three years warranty.



Ordering information

Model No.	Rated Voltage	Input Amps	Input Power	Lumen	Battery	Emergency Run Time	Packing Information
FT-NYAC1-2RW	120-277V	0.038A	2W	/	/	/	47x42.5x34cm/4pcs 17/16kgs
FT-NYEX1-2RW	120-277V	0.052A	3.2W	/	Ni-Cd 3.6V 600mAh	≥90mins	47x42.5x34cm/4pcs 17.5/16.5kgs
FT-NYEC1-2RW	120-277V	0.068A	4.8W	≥400lm	Ni-MH 9.6V 1200mAh	≥90mins	47x43x44.5cm/4pcs 19.8/18.8kgs
FT-NYEC1-2RW-RC	120-277V	0.068A	4.8W	≥400lm	Ni-MH 9.6V 2000mAh	≥90mins	47x43x44.5cm/4pcs 20/19kgs
FT-NYEC1-2RW-HO	120-277V	0.068A	4.8W	≥800lm	Ni-MH 9.6V 2000mAh	≥90mins	47x43x44.5cm/4pcs 20/19kgs



Features:

- Universal 120V-277V voltage, 50/60Hz.
- 2x9pcs ultra bright 5050 SMTLED provide a light output of 400/800 lumens total.
- Built-in long life, maintenance-free, rechargeable Ni-Cad battery (FT-CHEX series)
- Built-in long life, maintenance-free, rechargeable Ni-MH battery. (Combo EM models only, FT-CHEC series.)
- Internal solid-state transfer switch automatically connects the internal battery to LED board for minimum 90 minutes emergency illumination.
- Durable, powder-coated 20-gauge steel construction in white or black finish.
- UL listed for damp locations. (0°-40°C)
- Meets UL924, NFPA101 Life Safety Code, NEC, OSHA, Local and State Codes.
- Meets city of Chicago requirements.
- Three years warranty.

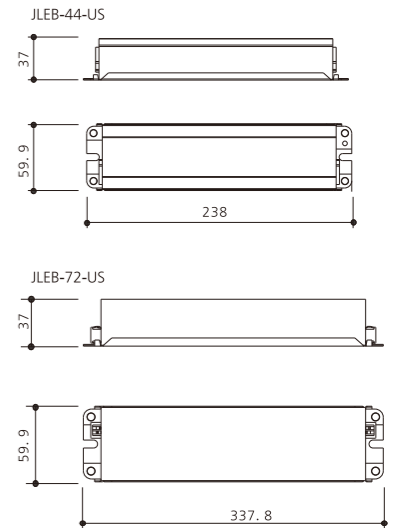
Ordering information

Model No.	Rated Voltage	Input Amps	Input Power	Lumen	Battery	Emergency Run Time	Packing Information
FT-CHAC1-2RW	120-277V	0.038A	2W	/	/	/	46.5x37x29cm/4pcs 11.5/10.5kgs
FT-CHEX1-2RW	120-277V	0.052A	3.2W	/	Ni-Cd 3.6V 600mAh	≥90 mins	46.5x37x29cm/4pcs 12/11kgs
FT-CHEC1-2RW	120-277V	0.068A	4.8W	≥400lm	Ni-MH 9.6V 1200mAh	≥90 mins	47x37.5x39.5cm/4pcs 14.2/13.2kgs
FT-CHEC1-2RW-RC	120-277V	0.068A	4.8W	≥400lm	Ni-MH 9.6V 2000mAh	≥90 mins	47x37.5x39.5cm/4pcs 14.5/13.5kgs
FT-CHEC1-2RW-HO	120-277V	0.068A	4.8W	≥800lm	Ni-MH 9.6V 2000mAh	≥90 mins	47x37.5x39.5cm/4pcs 14.5/13.5kgs



Features:

- Durable heavy duty steel housing
- Innovative, easy installation in minutes.
- 120-277VAC Universal voltage operation.
- Built-in Nickel cadmium battery for minimum 90 minutes emergency operation.
- Working voltage 3-60VDC
- Supplies 4W/8W constant power output for use with most LED loads.
- Maximum 24 hours for full recharge time.
- Test switch and charge indicator.
- UL and cULus listed.
- 0° to 50°C indoor damp location listed.
- Three years warranty.



Ordering information

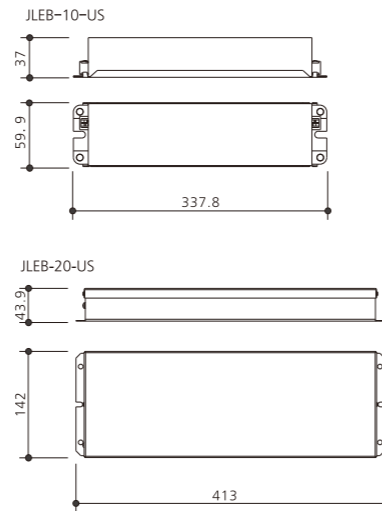
Model No.	Packing information	Options
JLEB-44-US	29.5x28x19cm/6pcs 5.6/4.6kgs	Housing color: White/Red
JLEB-72-US	39.5x28x19cm/6pcs 8.5/7.5kgs	
JLEB-44-US-C	49.5x28x19cm/6pcs 7.9/6.9kgs	Flex conduits
JLEB-72-US-C	49.5x28x19cm/6pcs 10.1/9.1kgs	Flex conduits



cUL US RoHS COMPLIANT CEC
DOE FC

Features:

- Durable heavy duty steel housing
- Innovative, easy installation in minutes.
- 120-277VAC Universal voltage operation.
- Built-in Nickel cadmium battery for minimum 90 minutes emergency operation.
- Working voltage 300VDC(OR 220VAC)
- Suitable with LED fixtures up to 10W/20W(for internal driver only) and provide 100% lumen output.
- Maximum 24 hours for full recharge time.
- Test switch and charge indicator.
- UL and cULus listed.
- 0° to 40°C indoor damp location listed.
- Three years warranty.



Ordering information

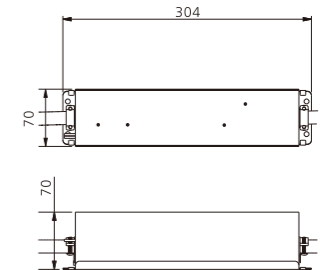
Model No.	Packing information	Options
JLEB-10-US	40x25x16.5cm/6pcs 9/8kgs	Housing color: White/Red
JLEB-20-US	55x39.5x18.5cm/6pcs 20.8/19.8kgs	Flex conduits



cUL US RoHS COMPLIANT CEC
DOE FC

Features:

- Durable heavy duty steel housing
- Innovative, easy installation in minutes
- 120-277VAC Universal voltage operation
- Built-in Nickel cadmium battery for minimum 90 minutes emergency operation.
- Working voltage 180VDC(OR 120VAC)
- Suitable with LED fixtures up to 20W(for internal driver only) and provide 100% lumen output.
- Maximum 24 hours for full recharge time
- Test switch and charge indicator
- UL and cULus listed
- 0° to 40°C indoor damp location listed
- Three years warranty.



Ordering information

Model No.	Packing information	Options
JLEB-20B-US	46.5x32x26.5cm/6pcs 12.7/11.7kgs	

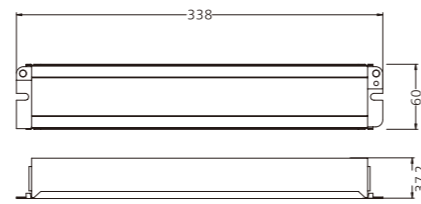


UL US RoHS COMPLIANT CEC DOE FC

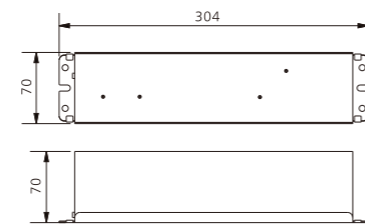
Features:

- Durable heavy duty steel housing
- Innovative, easy installation in minutes
- 120-277VAC universal voltage operation
- Built-in Nickel cadmium battery for minimum 90 minutes emergency operation.
- Working voltage 20-60VDC
- Supplies 12/16/20W constant power output for use with most LED loads.
- Maximum 24 hours for full recharge time
- Test switch and charge indicator
- 0° to 40°C indoor damp location listed
- Three years warranty.

JLEB-12L-US



JLEB-16L-US
JLEB-20L-US



Ordering information

Model No.	Packing information	Options
JLEB-12L-US	51.5x29x20.5cm/6pcs 8.8/7.8kgs	
JLEB-16L-US	46.5x32x26.5cm/6pcs 11.8/10.8kgs	
JLEB-20L-US	46.5x32x26.5cm/6pcs 12.7/11.7kgs	



Features:

- Injection-molded,flameretardant, highimpact, thermoplastic housing.
- 120/277AC Dual voltage operation.
- 6V/12V, 5.4W/7.2W/9W Incandescent lamps available for JRH series
- 3.6V/9.6V,1.2W ultra bright white LED lamps available for JLEH series
- Three years warranty.

Ordering information

Model No.	Packing information	Options
JRHWP-1	50.5x35x46/12pcs 6.9/5.9kgs	Housing Color: White/Black
JRHWP-2	57x40x40cm/12pcs 10.8/9.8kgs	Lamps: 6V5.4W/6V9W/12V9W
JLRH-1	48x14x28.5cm/12pcs 4/3kgs	
JLRH-2	48.5x28x25.5cm/12pcs 5.5/4.5kgs	
JLRHWP-1	37x26x36cm/12pcs 4/3kgs	
JLRHWP-2	58x26x47cm/12pcs 5.5/4.5kgs	



Features:

- Injection-molded, flameretardant, highimpact, thermoplastic housing.
- Fully adjustable single or double heads.
- 4x3030 SMD LED's each head.
- Luminous Flux: more than 110Lm(each head)
- 6-24V universal input voltages for remote options.
- Suitable for Damp location.
- UL and cULus listed.

Ordering information

Model No.	Packing information	Options
CNDRH1	40.8x28.4x27.4cm/12pcs 3.2/2.2kgs	Housing color:White/Black
CNDRH2	40.8x29.2x27.4cm/12pcs 4/3kgs	



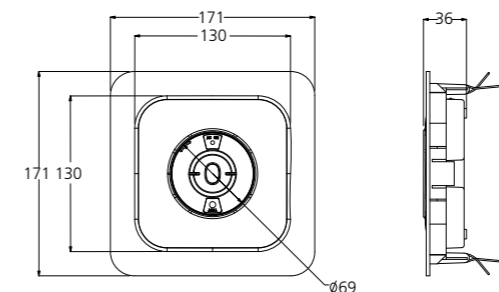
Embedded Mounting Kit

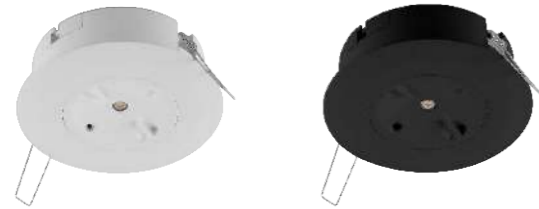


Brand new plastic housing LED emergency down light. Surface mounted, Embedded mounted. The light is equipped with 1pcs 3535LED lights. Ambient temp 5-40°C. Two years warranty. Interchangeable installation method. Comes with replaceable lenses, and you can choose between circular light or polarized light. With self-diagnostic functions listed (ZCDLB300 UL,ZCDLB150 UL),For Monthly self-diagnostic and Annually self-diagnostic.

Model No.	DLB300 UL	DLB150 UL
Mode of operation	Maintained and Non-Maintained	Maintained and Non-Maintained
Supply Voltage	AC 100-277V 50/60HZ	AC 100-277V 50/60HZ
Input Power	AC: 5.0W / DC: 2.0W	AC: 4.0W / DC: 1.2W
Output Voltage	3.2VDC	3.2VDC
Output Power	3W	1.5W
Lumen Output	AC Max: 200LM/DC Max: 300LM	Max: 150LM
Colour Temperature	6000-6500K	6000-6500K
Battery	LiFePO4 3.2V4000mAh	LiFePO4 3.2V2000mAh
Max Charge Current (mA)	300mA	200mA
Max Discharge Current (mA)	950mA	450mA
Charging Time	24H	24H
Discharge Time	3H	3H
LED	SMD3535 1PCS	SMD3535 1PCS
IP Rating	IP65	IP65
Certification	UL	UL
Packing Detail	42x31x27.5cm/24pcs	42x31x27.5cm/24pcs

Dimension:





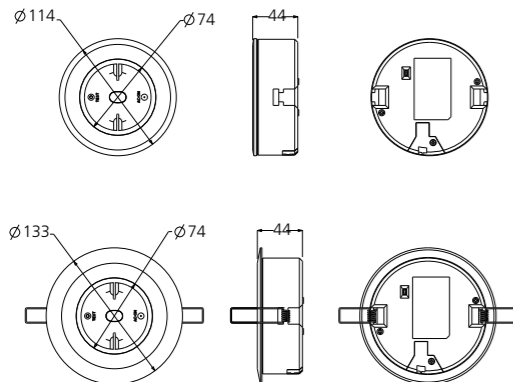
Embedded Mounting Kit Surface Mounted Kit



Brand new plastic housing LED emergency down light.
 Surface mounted, Embedded mounted.
 The light is equipped with 1pcs 3535LED and 3030LED lights.
 Ambient temp 5-40°C.
 Two years warranty.
 Interchangeable installation method.
 Comes with replaceable lenses, and you can choose between circular light or polarized light.
 With self-diagnostic functions listed (ZCDLB300 UL,ZCDLB150 UL),For Monthly self-diagnostic and Annually self-diagnostic.

Model No.	DLC300 UL	DLC150 UL
Mode of operation	Maintained and Non-Maintained	Maintained and Non-Maintained
Supply Voltage	AC100-277V 50/60HZ	AC100-277V 50/60HZ
Input Power	AC: 5.0W / DC: 2.0W	AC: 4.0W / DC: 1.2W
Output Voltage	3.2VDC	3.2VDC
Output Power	3W	1.5W
Lumen Output	AC:MAX.200LM/DC:MAX.300LM	MAX.150LM
Colour Temperature	6000-6500K	6000-6500K
Battery	LiFePO4 3.2V4000mAh	LiFePO4 3.2V2000mAh
Max Charge Current (mA)	300mA	200mA
Max Discharge Current (mA)	950mA	500mA
Charging Time	24H	24H
Discharge Time	3H	3H
LED	SMD3535 1PCS	SMD3030 1PCS
IP Rating	IP20	IP20
Certification	UL	UL
Packing Detail	42x31x27.5cm/24pcs	42x31x27.5cm/24pcs

Dimension:



New York Approved Emergency Combo



Bi-Color Emergency Exit Sign And Combo



New York Approved Emergency Lighting Unit



New York Approved Emergency Exit Sign



Incandescent Wet Location Combo Model JWPECW



Incandescent Emergency Combo Model JEC2RW/JEC2GW



LED Wet Location Exit sign Model JWPEEW



MR-16 Halogen Lamp Emergency Light
Model JEU2



Incandescent Emergency Lighting unit
Model JEU1



Incandescent Heavy Duty Emergency lighting unit
Model JEU6



Fixed head Incandescent Emergency Lighting unit
Model JEU4



Dual Head Emergency Light
Model JLEU19



Incandescent Wet Location Emergency Lighting unit
Model JEU8WP



High Output Dual Head Emergency Light
Model R-16L



High Output Dual Head Emergency Light
Model RMR-16L



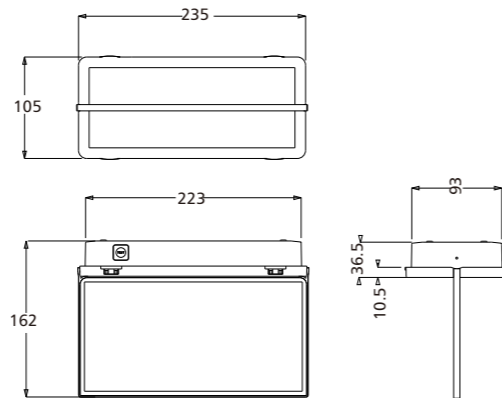
CE **RoHS**



New slim type bulkhead emergency light
 Clear polycarbonate diffuser & ABS housing
 20pcs SMD2835 LED for enhanced lumen output
 3 hours maintained operation
 Can be converted to Edge-lit exit signs by accessories
 Optional multi directional sticker legend kit
 Complies with IEC60598-2-22, ROHS
 With self-test functions ZC517

Model No.	517
Mode of operation	Maintained/Non-Maintained
Supply Voltage	220-240V
Input power	ACDC/5W, DC/1W
Output power	1.7W
Lumen Output	200LM
CCT	6000-7000K
Battery	3.2V2000mAh LiFePO4
Max Charge Current (mA)	150mA
Max Discharge Current (mA)	550mA
Charging Time	≤24h
Discharging Time	3h
Lamp	2835-0.2W*20PCS
IP Rating	IP65
P.F	≥0.4
Certification	CE
Packing detail	25x22.5x20.5cm/10pcs

Dimension:



Optional multi directional legend stickers.



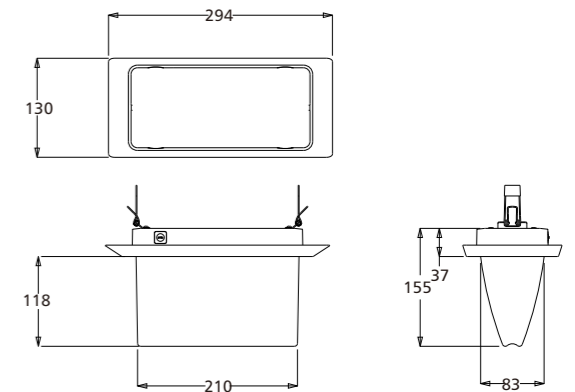
CE **RoHS**



New slim type bulkhead emergency light
 Clear polycarbonate diffuser & ABS housing
 20pcs SMD2835 LED for enhanced lumen output
 3 hours maintained operation
 Can be converted to Edge-lit exit signs by accessories
 Optional multi directional sticker legend kit
 Complies with IEC60598-2-22, ROHS
 With self-test functions ZC518

Model No.	518
Mode of operation	Maintained/Non-Maintained
Supply Voltage	220-240V
Input power	ACDC/5W, DC/1W
Output power	1.7W
Lumen Output	200LM
CCT	6000-7000K
Battery	3.2V2000mAh LiFePO4
Max Charge Current (mA)	150mA
Max Discharge Current (mA)	550mA
Charging Time	≤24h
Discharging Time	3h
Lamp	2835-0.2W*20PCS
IP Rating	IP65
P.F	≥0.4
Certification	CE
Packing detail	40.5x31.5x31.5cm/6pcs

Dimension:



Optional multi directional legend stickers.



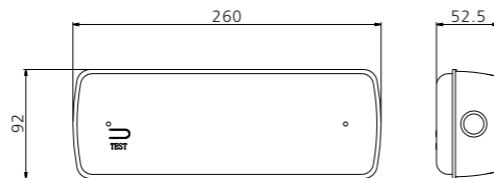
FEITUO LED EMERGENCY LIGHT



CE RoHS



Dimension:



New slim type bulkhead emergency light
 Clear polycarbonate diffuser & ABS housing
 14 pcs SMD2835 LED for enhanced lumen output
 3 hours non-maintained operation
 Optional multi directional sticker legend kit
 Complies with IEC60598-2-22, ROHS
 With self-test functions ZC516-3W/516-5W

Model No.	516-5W	516-3W
Mode of operation	Maintained/Non-Maintained	Maintained/Non-Maintained
Supply Voltage	AC220-240V-50/60HZ	220-240V-50/60HZ
Power Consumption	5W	3W
Output Voltage	4V	4V
Output Power	2W	1.5W
Lumen Output	150LM	100LM
Colour Temperature	6000-7000K	6000-7000K
Battery	3.7V/1500mAH Li-ion	3.7V/1200mAH Li-ion
Max Charge Current (mA)	200mA	200mA
Max Discharge Current (mA)	500mA	350mA
Charging Time	24H	24H
Discharge Time	≥3H	≥3H
LED	14PCS SMD2835 LED	14PCS SMD2538 LED
IP Rating	IP20	IP20
Safety Classification	II	II
Product material	PC	PC
Use of environment	0-40°C	0-40°C
P.F	0.4	0.4
Beam angle	120	120
CRI	80	80
Packing detail	51X29X37cm/30pcs	51X29X37cm/30pcs

Optional multi directional legend stickers.



LED EMERGENCY LIGHT



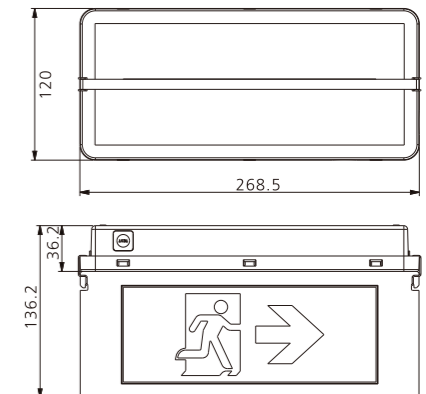
CE RoHS



New slim type bulkhead emergency light
 Clear polycarbonate diffuser & ABS housing
 11/21pcs SMD3528 LED for enhanced lumen output
 3 hours maintained operation
 Can be converted to Edge-lit exit signs by accessories
 Optional multi directional sticker legend kit
 Complies with IEC60598-2-22, ROHS
 With self-test functions ZC 515-11/515-21

Model No.	515-11	515-21
Mode of operation	Maintained	Maintained
Supply Voltage	220-240V/50-60Hz	220-240V/50-60Hz
Power Consumption	MAX2.0W	MAX2.8W
Output Voltage	DC5V±0.5V	DC5V±0.5V
Output Power	2.8W	3.8W
Lumen Output	80Lm MAX	160Lm MAX
Colour Temperature	6000-7000K	6000-7000K
Battery	3.6V1000mAH NI-MH	3.6V1500mAH NI-MH
Max Charge Current (mA)	MAX 100mA	MAX 200mA
Max Discharge Current (mA)	MAX 280mA	MAX 500mA
Charging Time	24H	24H
Discharge Time	3H	3H
LED	SMD2835 11PCS	SMD2835 21PCS
IP Rating	IP65	IP65
Safety Classification	II	II
Certification	CE ROHS	CE ROHS
Packing detail	40X29X21cm/12pcs 8/7KGS	40X29X21cm/12pcs 8/7KGS

Dimension:

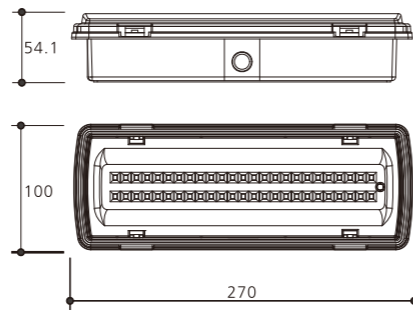


Optional multi directional legend stickers.





Dimension:



New slim type bulkhead emergency light
 Clear polycarbonate diffuser & ABS housing
 50/24 pcs SMD2835 LED for enhanced lumen output
 3 hours non-maintained operation
 Optional multi directional sticker legend kit
 Complies with IEC60598-2-22, ROHS
 With self-test functions :ZC 507L24VE,ZC507L50VE

Model No.	507L50	507L24
Mode of operation	Non-maintained	Maintained/Non-Maintained
Supply Voltage	220-240V 50-60Hz	220-240V 50-60Hz
Power Consumption	2W	4.5W
Output Voltage	9.5V	9.5V
Output Power	4W	2.5W
Lumen Output	400Lm MAX	200Lm MAX
Battery	7.4V1500mAh Li-ion Battery	7.4V1200mAh Li-ion Battery
Max Charge Current(mA)	110	110
Max Discharge Current(mA)	500	400
Charging Time	24H	24H
Discharging Time	3H	3H
Lamp	SMD2835 50pcs	SMD2835 24pcs
IP Rating	IP65	IP65
Certification	CE ROHS	CE ROHS
Packing detail	41.5X31X30cm/12pcs 8/7KGS	41.5X31X30cm/12pcs 8/7KGS

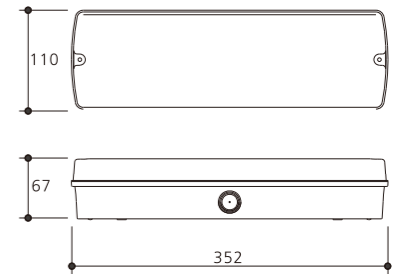
Optional multi directional legend stickers.



New slim type bulkhead emergency light
 Clear polycarbonate diffuser & ABS housing
 27pcs SMD3528 LED for enhanced lumen output
 3 hours maintained operation can be wired as non-maintained
 Optional multi directional sticker legend kit
 Complies with IEC60598-2-22, ROHS
 With self-test functions : ZC AD500-1

Model No.	AD500
Mode of operation	Maintained /Non-maintained
Supply Voltage	220-240V 50-60Hz
Power Consumption	4W
Output Voltage	5.2V
Output Power	1.62W
Lumen Output	130Lm MAX
Battery	3.6V1.5Ah Ni-Cad Battery
Max Charge Current(mA)	230
Max Discharge Current(mA)	365
Charging Time	24H
Discharging Time	3H
Lamp	SMD3528 27pcs powerful LED
IP Rating	IP65
Certification	CE ROHS
Packing detail	38.5X33.2X38.5cm/12pcs 8.4/7.4KGS

Dimension:



Optional multi directional legend stickers.

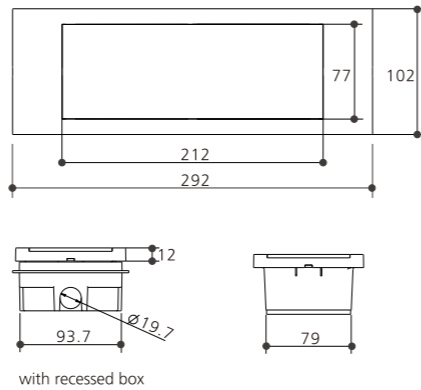




New slim type emergency light with recessed box
 Clear polycarbonate diffuser & ABS housing
 Led located on the side make the display smooth
 3 hours non-maintained or maintained operation
 Optional multi directional sticker legend kit
 Complies with IEC60598-2-22, ROHS
 With self-test functions ZC 511

Model No.	511
Mode of operation	Non-Maintained / Maintained
Supply Voltage	220-240V 50-60Hz
Power Consumption	2.6W MAX
Output Voltage	DC 5V±0.5V
Output Power	0.7W
Lumen Output	85Lm MAX
Battery	3.6V1000mAh Ni-Cad Battery
Max Charge Current(mA)	100mA
Max Discharge Current(mA)	280mA
Charging Time	24H
Discharging Time	3H
Lamp	SMD LED2835* 20pcs
IP Rating	IP20
Certification	CE ROHS
Packing detail	38X32X25.5cm/12pcs 7.6/7.0KGS

Dimension:



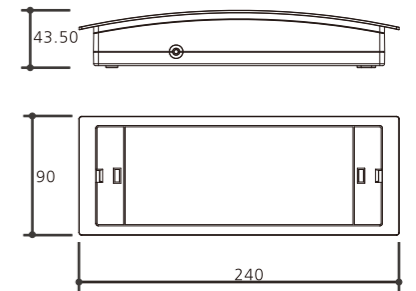
Optional multi directional legend stickers.



New simple type emergency light
 Clear polycarbonate diffuser & ABS housing
 12pcs SMD2835 led with tube-like shape
 3 hours non-maintained or maintained operation
 Optional multi directional sticker legend kit
 Complies with IEC60598-2-22, ROHS
 With self-test functions ZC513

Model No.	513
Mode of operation	Non-Maintained / Maintained
Supply Voltage	220-240V 50-60Hz
Power Consumption	2.6W MAX
Output Voltage	DC 5V±0.5V
Output Power	0.7W
Lumen Output	85Lm MAX
Battery	3.6V1000mAh Ni-Cad Battery
Max Charge Current(mA)	100mA
Max Discharge Current(mA)	280mA
Charging Time	24H
Discharging Time	3H
Lamp	2835* 12pcs
IP Rating	IP20
Certification	CE ROHS
Packing detail	49X28.5X24cm/30pcs 10/9KGS

Dimension:



Optional multi directional legend stickers.

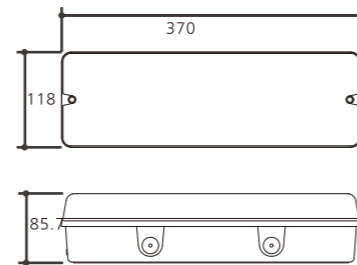


FEITUO LED EMERGENCY LIGHT

Traditional bulkhead emergency light
 Clear polycarbonate diffuser & ABS housing
 50pcs powerful LED for enhanced lumen output
 3 hours non-maintained or maintained operation
 Optional multi directional sticker legend kit
 Complies with IEC60598-2-22, ROHS
 With self-test functions ZC502L

Model No.	502L
Mode of operation	Non-Maintained
Supply Voltage	220-240V 50-60Hz
Power Consumption	3.4W
Output Voltage	4V
Output Power	3W
Lumen Output	78Lm MAX
Battery	3.6V2.5Ah Ni-Cad Battery
Max Charge Current(mA)	327
Max Discharge Current(mA)	332
Charging Time	24H
Discharging Time	3H
Lamp	50pcs powerful LED
IP Rating	IP65
Certification	CE
Packing detail	52.5X40X29.5cm/12pcs 18/17KGS

Dimension:



CE RoHS

Optional multi directional legend stickers.



EXIT SIGNS

New slim design exit sign
 PMMA exit panel & ABS housing
 3 hours maintained operation
 Smart design for ceiling/wall/side mount application
 Complies with IEC60598-2-22, ROHS

Model No.	2912
Mode of operation	Maintained
Supply Voltage	220-240V 50-60Hz
Power Consumption	2W
Output Voltage	3.6V
Output Power	0.3W
Lumen Output	8.6Lm MAX
Battery	3.6V500mAH Ni-Cad Battery
Max Charge Current(mA)	46mA
Max Discharge Current(mA)	138mA
Charging Time	24H
Discharging Time	6H
Lamp	5pcs super bright LED
IP Rating	IP20
Certification	CE
Packing detail	56.5X39X25cm/10pcs 9.5/8.5KGS

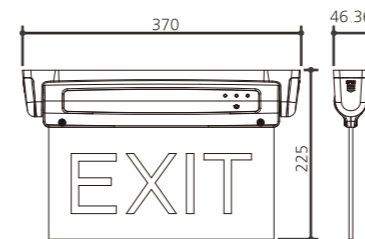
New slim design exit sign
 PMMA exit panel & ABS housing
 3 hours maintained operation
 Adjustable bracket for ceiling/wall/side mount application
 Complies with IEC60598-2-22, ROHS

Model No.	297
Mode of operation	Maintained
Supply Voltage	220-240V 50-60Hz
Power Consumption	2.5W
Output Voltage	3.6V
Output Power	0.3W
Lumen Output	8.3Lm MAX
Battery	3.6V500mAH Ni-Cad Battery
Max Charge Current(mA)	106mA
Max Discharge Current(mA)	142mA
Charging Time	20H
Discharging Time	6H
Lamp	5pcs power LED
IP Rating	IP20
Certification	CE
Packing detail	41X37X25cm/10pcs 8/6.5KGS

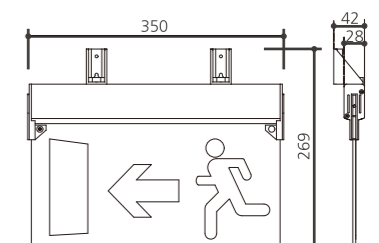


CE RoHS

Dimension:



Dimension:



New led box emergency light
PMMA exit panel & steel housing
3 hours maintained operation
Wall mount only
Complies with IEC60598-2-22, ROHS
With self-test functions : ZC 2914

New slim design exit sign
PS exit panel & ABS housing
3 hours maintained operation
Smart design for ceiling/wall/side mount application
Complies with IEC60598-2-22, ROHS
Includes direction stickers to indicate the correct exit

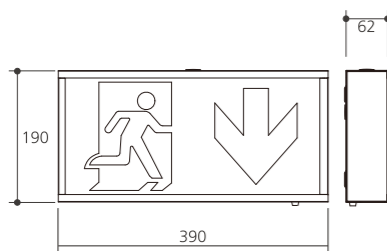
Model No.	2914
Mode of operation	Maintained
Supply Voltage	220-240V 50-60Hz
Power Consumption	4.5W
Output Voltage	3.6V
Output Power	2.5W
Lumen Output	126Lm MAX
Battery	3.6V1.8AH Ni-Cad Battery
Max Charge Current(mA)	70mA
Max Discharge Current(mA)	700mA
Charging Time	24H
Discharging Time	3H
Lamp	SMD 5050LED 12PCS
IP Rating	IP20
Certification	CE
Packing detail	40X37.5X20cm/6pcs 9/8KG5

Model No.	2912BC-1
Mode of operation	Maintained
Supply Voltage	220-240V 50-60Hz
Power Consumption	4W
Output Voltage	3.6V
Output Power	1W
Lumen Output	50Lm MAX
Battery	3.7V1200mAH Li-ion
Max Charge Current(mA)	50mA
Max Discharge Current(mA)	330mA
Charging Time	24H
Discharging Time	3H
Lamp	10pcs SMD2835LED
IP Rating	IP20
Certification	CE
Packing detail	56.5X39X25CM/10pcs 9.5/8.5KG5

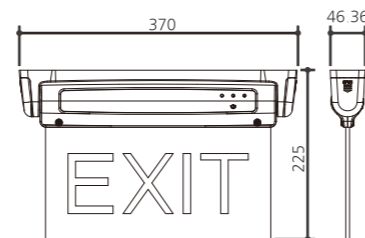


CE RoHS

Dimension:



Dimension:

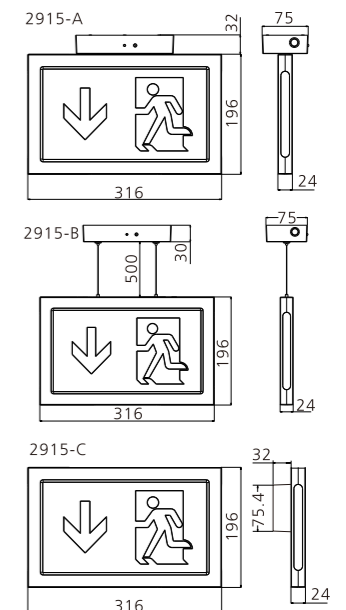


CE RoHS



Brand new Plastic housing emergency exit sign
Wall mounted/Ceiling mounted/Cord suspended ceiling mounted
The light is equipped with 19pcs 2835 LED lights with a total of 1.2 Watt
Includes direction stickers to indicate the correct exit
Complies with IEC60598-2-22, ROHS

Dimension:



Model No.	2915-A	2915-B	2915-C
Mode of operation	Maintained	Maintained	Maintained
Supply Voltage	220-240V/50-60Hz	220-240V/50-60Hz	220-240V/50-60Hz
Power Consumption	3.6W	3.6W	3.6W
Output Voltage	DC5V±0.5V	DC5V±0.5V	DC5V±0.5V
Output Power	1.2W	1.2W	1.2W
Colour Temperature	6000-7000K	6000-7000K	6000-7000K
Battery	3.6V1000mAH NI-MH	3.6V1000mAH NI-MH	3.6V1000mAH NI-MH
Max Charge Current (mA)	100mA	100mA	100mA
Max Discharge Current (mA)	450mA	450mA	450mA
Charging Time	24H	24H	24H
Discharge Time	3H	3H	3H
LED	SMD2835 *19PCS	SMD2835 *19PCS	SMD2835 *19PCS
Net Weight(Single unit)	1.02Kg	1.02Kg	1.02Kg
Gross Weight(Single unit)	1.3Kg	1.3Kg	1.3Kg
IP Rating	IP20	IP20	IP20
Safety Classification	II	II	II
Certification	CE ROHS	CE ROHS	CE ROHS
Packing detail	67X35X25cm/10pcs	67X35X25cm/10pcs	64X34X24cm/10pcs

Optional multi directional legend stickers.





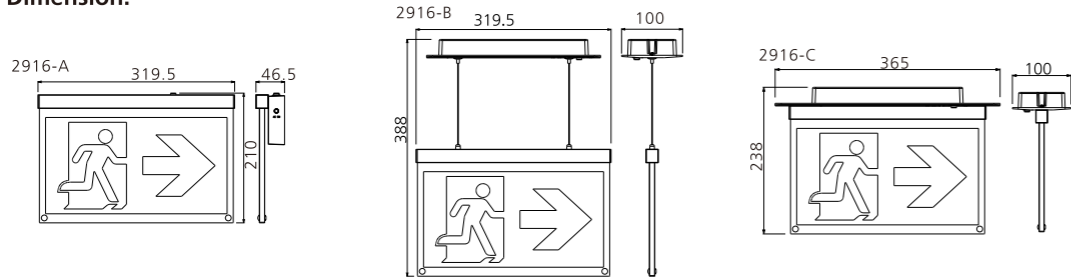
CE RoHS



Brand new Aluminum emergency exit sign
 Wall mounted/Ceiling mounted/Cord suspended ceiling mounted
 The light is equipped with 14pcs 2835 LED lights with a total of 1 Watt
 Includes direction stickers to indicate the correct exit
 Complies with IEC60598-2-22, ROHS
 With self-test functions: ZC 2916-A ZC 2916-B ZC 2916-C

Model No.	2916-A	2916-B	2916-C
Mode of operation	Maintained	Maintained	Maintained
Supply Voltage	220-240V/50-60Hz	220-240V/50-60Hz	220-240V/50-60Hz
Power Consumption	MAX2.6W	MAX2.6W	MAX2.6W
Output Voltage	DC5V±0.5V	DC5V±0.5V	DC5V±0.5V
Output Power	1W	1W	1W
Colour Temperature	6000-7000K	6000-7000K	6000-7000K
Battery	3.6V1000mAH NI-MH	3.6V1000mAH NI-MH	3.6V1000mAH NI-MH
Max Charge Current (mA)	MAX 90mA	MAX 90mA	MAX 90mA
Max Discharge Current (mA)	MAX 240mA	MAX 240mA	MAX 240mA
Charging Time	24H	24H	24H
Discharge Time	3H	3H	3H
LED	SMD2835 14PCS	SMD2835 14PCS	SMD2835 14PCS
IP Rating	IP20	IP20	IP20
Safety Classification	II	II	II
Certification	CE ROHS	CE ROHS	CE ROHS
Packing detail	71.6X37.1X19cm/6pcs	71.6X39.6X17.5cm/6pcs	51.2X37X22.5cm/6pcs

Dimension:



Optional multi directional legend stickers.

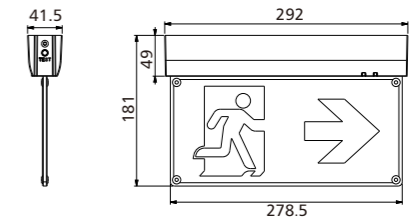


CE RoHS

Brand new Plastic housing emergency exit sign
 Wall imounted/Ceiling mounted/
 Cord suspended ceiling mounted/side mounted
 The light is equipped with 24pcs 2835 LED lights
 Includes direction stickers to indicate the correct exit
 Complies with IEC60598-2-22.ROHS
 With self-test functions ZC2917

Model No.	2917
Mode of operation	Maintained/Non-Maintained
Supply Voltage	220-240V
Input power	4W
Output power	1.3W
Lumen Output	10LM
CCT	6000-7000K
Battery	3.2V1500mAH LiFePO4
Max Charge Current (mA)	130mA
Max Discharge Current (mA)	430mA
Charging Time	≤24h
Discharging Time	3h
Lamp	2835-0.2W*24PCS
IP Rating	IP20
P.F	≥0.4
Certification	CE
Packing detail	31.5X31.5X17.5cm/6pcs

Dimension:



Optional multi directional legend stickers.



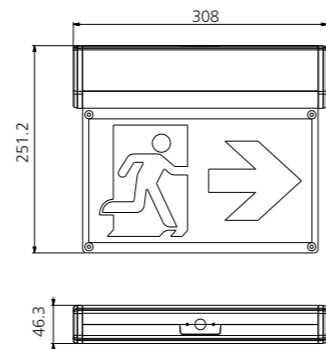


Brand new Plastic housing emergency exit sign
 Wall mounted/Ceiling mounted/Cord suspended ceiling mounted
 The light is equipped with 24pcs 2835 LED lights
 Includes direction stickers to indicate the correct exit
 Complies with IEC60598-2-22, ROHS



Model No.	2918
Mode of operation	Maintained/Non-Maintained
Supply Voltage	220-240V
Input power	4W
Output power	1.3W
Lumen Output	10LM
CCT	6000-7000K
Battery	3.2V1500mAH LiFePO4
Max Charge Current (mA)	130mA
Max Discharge Current (mA)	430mA
Charging Time	≤24h
Discharging Time	3h
Lamp	2835-0.2W*24PCS
IP Rating	IP20
P.F	≥0.4
Certification	CE
Packing detail	45x35x25cm/6pcs

Dimension:



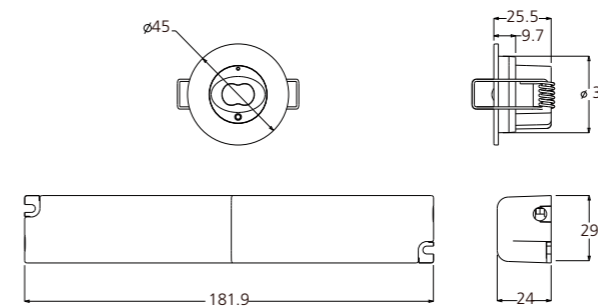
Optional multi directional legend stickers.



Brand new plastic housing LED emergency down light.
 Ceiling recessed installation.
 The light is equipped with 1pcs 3030LED lights.
 Ambient temp 5-40°C.
 Two years warranty.
 Interchangeable installation method.
 Comes with replaceable lenses, and you can choose between circular light or polarized light.
 With self-test functions ZCDL.

Model No.	DL
Mode of operation	Maintained and Non-Maintained
Supply Voltage	AC220-240V-50/60HZ
Input Power	AC: 4.0W / DC: 1.2W
Output Voltage	3.2VDC
Output Power	1.5W
Lumen Output	MAX.150LM
Colour Temperature	6000-6500K
Battery	LiFePO4 3.2V2000mAh
Max Charge Current (mA)	200mA
Max Discharge Current (mA)	450mA
Charging Time	24H
Discharge Time	3H
LED	SMD3030 1PCS
IP Rating	IP20
Certification	CE ROHS
Packing Detail	35x24x21cm/20pcs

Dimension:



FEITUO LED EMERGENCY DOWN LIGHT



Embedded Mounting Kit

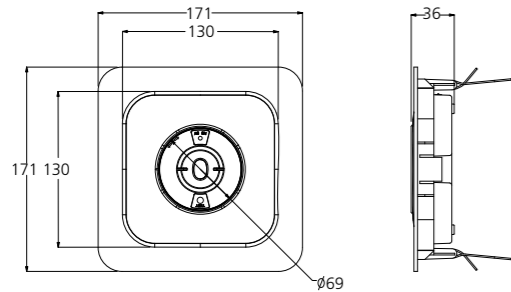
New

CE RoHS

Brand new plastic housing LED emergency down light.
 Surface mounted, Embedded mounted.
 The light is equipped with 1pcs 3535LED lights.
 Ambient temp 5-40°C.
 Two years warranty.
 Interchangeable installation method.
 Comes with replaceable lenses, and you can choose between circular light or polarized light.
 With self-diagnostic functions listed (ZCDLB300,ZCDLB150),For Monthly self-diagnostic and Annually self-diagnostic.

Model No.	DLB300	DLB150
Mode of operation	Maintained and Non-Maintained	Maintained and Non-Maintained
Supply Voltage	220-240V 50/60HZ	220-240V 50/60HZ
Input Power	AC: 5.0W / DC: 2.0W	AC: 4.0W / DC: 1.2W
Output Voltage	3.2VDC	3.2VDC
Output Power	3W	1.5W
Lumen Output	AC Max: 200LM/DC Max: 300LM	Max: 150LM
Colour Temperature	6000-6500K	6000-6500K
Battery	LiFePO4 3.2V4000mAh	LiFePO4 3.2V2000mAh
Max Charge Current (mA)	300mA	200mA
Max Discharge Current (mA)	950mA	450mA
Charging Time	24H	24H
Discharge Time	3H	3H
LED	SMD3535 1PCS	SMD3535 1PCS
IP Rating	IP65	IP65
Certification	CE ROHS	CE ROHS
Packing Detail	42x31x27.5cm/24pcs	42x31x27.5cm/24pcs

Dimension:



LED EMERGENCY DOWN LIGHT



Embedded Mounting Kit

Surface Mounted Kit

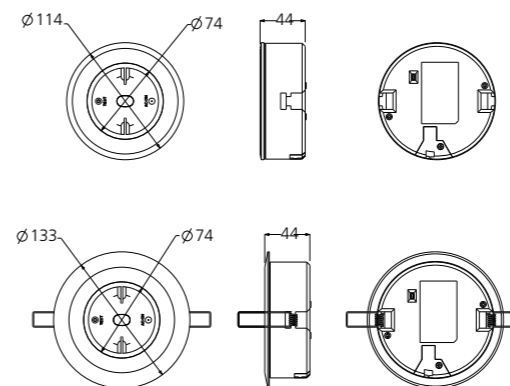
New

CE RoHS

Brand new plastic housing LED emergency down light.
 Surface mounted, Embedded mounted.
 The light is equipped with 1pcs 3535LED and 3030LED lights.
 Ambient temp 5-40°C.
 Two years warranty.
 Interchangeable installation method.
 Comes with replaceable lenses, and you can choose between circular light or polarized light.
 With self-diagnostic functions listed (ZCDLC300,ZCDLC150),For Monthly self-diagnostic and Annually self-diagnostic.

Model No.	DLC300	DLC150
Mode of operation	Maintained and Non-Maintained	Maintained and Non-Maintained
Supply Voltage	220-240V 50/60HZ	220-240V 50/60HZ
Input Power	AC: 5.0W / DC: 2.0W	AC: 4.0W / DC: 1.2W
Output Voltage	3.2VDC	3.2VDC
Output Power	3W	1.5W
Lumen Output	AC:MAX.200LM/DC:MAX.300LM	MAX.150LM
Colour Temperature	6000-6500K	6000-6500K
Battery	LiFePO4 3.2V4000mAh	LiFePO4 3.2V2000mAh
Max Charge Current (mA)	300mA	200mA
Max Discharge Current (mA)	950mA	500mA
Charging Time	24H	24H
Discharge Time	3H	3H
LED	SMD3535 1PCS	SMD3030 1PCS
IP Rating	IP20	IP20
Certification	CE ROHS	CE ROHS
Packing Detail	42x31x27.5cm/24pcs	42x31x27.5cm/24pcs

Dimension:



FEITUO EMERGENCY DOWN LIGHT

Emergency LED downlight
 Rechargeable Nickel metal hydride battery
 Complies with CE,ROHS

Model No.	D40-R-2	D40-S
Mode of operation	Non-maintained	Non-Maintained
Supply Voltage	220-240V 50-60Hz	220-240V 50-60Hz
Power Consumption	4.5W MAX	4.5W MAX
Output Voltage	4.8V	4.8V
Output Power	2W	2W
Lumen Output	200Lm MAX	200Lm MAX
Battery	4.8V2100mAH Ni-Cd Battery	4.8V 2100mAH Ni-Cd Battery
Max Charge Current(mA)	350mA	350mA
Max Discharge Current(mA)	700mA	700mA
Charging Time	24H	24H
Discharging Time	3H	3H
Lamp	SMD 3030LED 3W	SMD 3030LED 3W
IP Rating	IP20	IP20
Certification	CE	CE
Packing detail	37.5X35X20cm/10PCS 7/6KGS	47.5X34.5X24.5cm/10PCS 16/15KGS



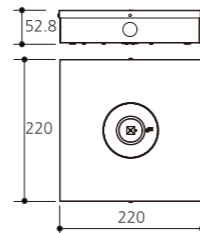
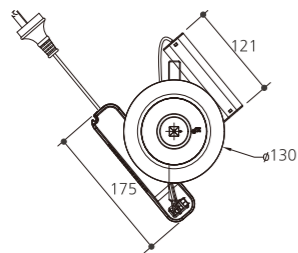
D40-R-2



D40-S



Dimension:



EMERGENCY DOWN LIGHT

Emergency LED downlight
 Rechargeable Nickel metal hydride battery

Model No.	D40-C	DP40-P
Mode of operation	Maintained/Non-maintained	Maintained/Non-maintained
Supply Voltage	100-277V 50-60Hz	100-277V 50-60Hz
Power Consumption	4.5W MAX	4.5W MAX
Output Voltage	9.2V	9.2V
Output Power	1.2W	1.2W
Lumen Output	170Lm MAX	170Lm MAX
Battery	4.8V1000mAH Ni-Cd Battery	4.8V1000mAH Ni-Cd Battery
Max Charge Current(mA)	150mA	150mA
Max Discharge Current(mA)	450mA	450mA
Charging Time	24H	24H
Discharging Time	2H	2H
Lamp	SMD 3030LED 3W	SMD 3030LED 3W
IP Rating	IP20	IP20
Certification	CE	CE
Packing detail	35X24X29cm/10PCS 4.5/3.8KGS	35X24X29cm/10PCS 4.5/3.8KGS

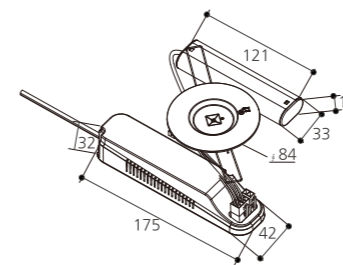
D40-C



DP40-P



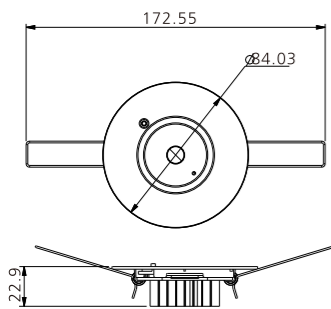
Dimension:





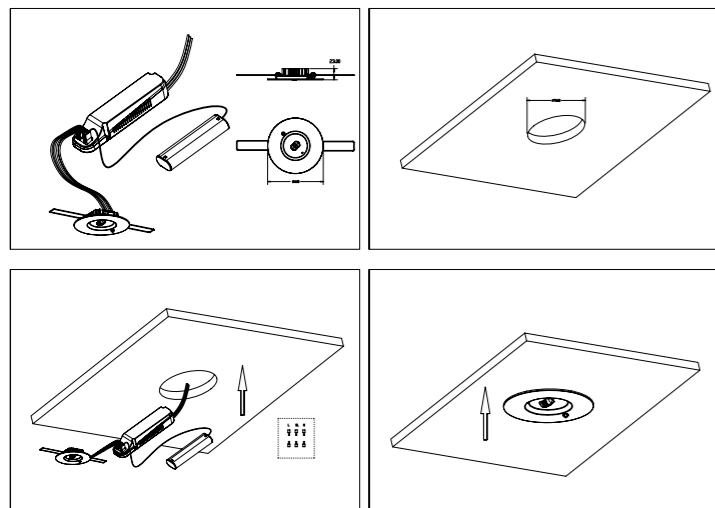
CE RoHS

Dimension:

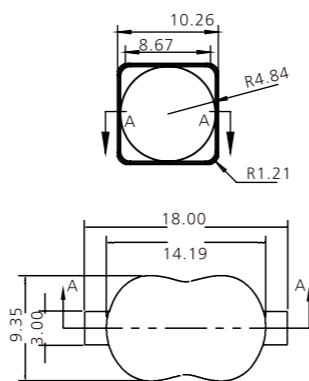


Model No.	185L-5W	185-5W
Mode of operation	No-Maintained	No-Maintained
Supply Voltage	220-240V/50-60Hz	220-240V/50-60Hz
Power Consumption	3.0W max	3.0W max
Output Voltage	3.6V DC	3.6V DC
Output Power	4W	4W
Lumen Output	450Lm MAX	450Lm MAX
Colour Temperature	6000-7000K	6000-7000K
Battery	3.6V4000mAH Ni-MH	3.6V4000mAH Ni-MH
Max Charge Current (mA)	300mA	300mA
Max Discharge Current (mA)	1450mA	1450mA
Charging Time	24H	24H
Discharge Time	3H	3H
LED	SMD3030-5W	SMD3030-5W
IP Rating	IP20	IP20
Safety Classification	II	II
Certification	CE ROHS	CE ROHS
Product material	PC	PC
Lens angle	120°	120°
Fix hole dimension	Φ70mm	Φ70mm
Product net weight(KGS)	0.345	0.345
Packing detail	38.5X28.5X21.4cm/10pcs	38.5X28.5X21.4cm/10pcs

Ceiling installation

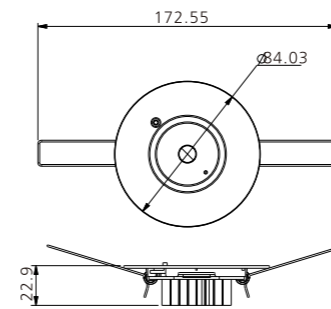


Optional Lens for different usage scenario



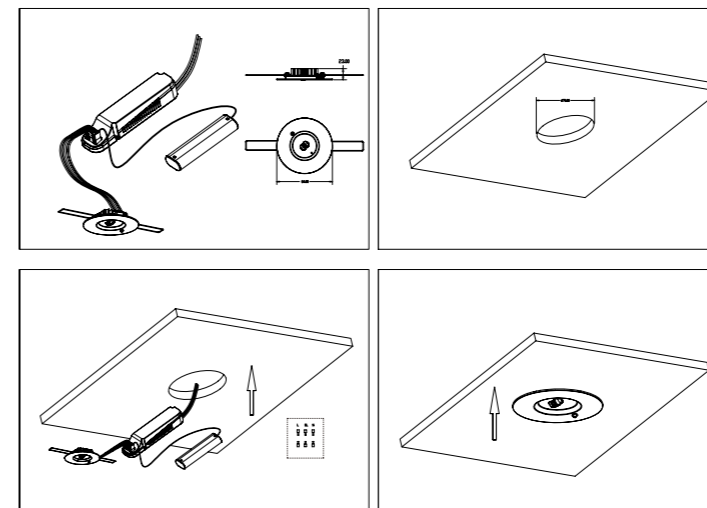
CE RoHS

Dimension:

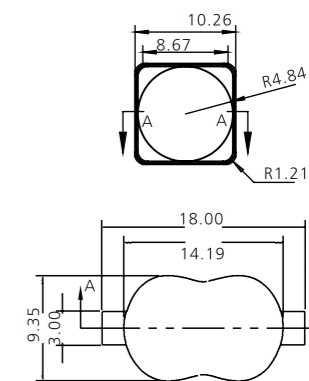


Model No.	185-3W	185L-3W
Mode of operation	No-Maintained	No-Maintained
Supply Voltage	220-240V/50-60Hz	220-240V/50-60Hz
Power Consumption	2.0W max	2.0W max
Output Voltage	3.6V DC	3.6V DC
Output Power	2W	2W
Lumen Output	200Lm MAX	200Lm MAX
Colour Temperature	6000-7000K	6000-7000K
Battery	3.6V2000mAH Ni-Cd	3.6V2000mAH Ni-Cd
Max Charge Current (mA)	200mA	200mA
Max Discharge Current (mA)	720mA	720mA
Charging Time	24H	24H
Discharge Time	3H	3H
LED	SMD3030-3W	SMD3030-3W
IP Rating	IP20	IP20
Safety Classification	II	II
Certification	CE ROHS	CE ROHS
Product material	PC	PC
Lens angle	120°	120°
Fix hole dimension	Φ70mm	Φ70mm
Product net weight(KGS)	0.345	0.345
Packing detail	38.5X28.5X21.4cm/10pcs	38.5X28.5X21.4cm/10pcs

Ceiling installation



Optional Lens for different usage scenario



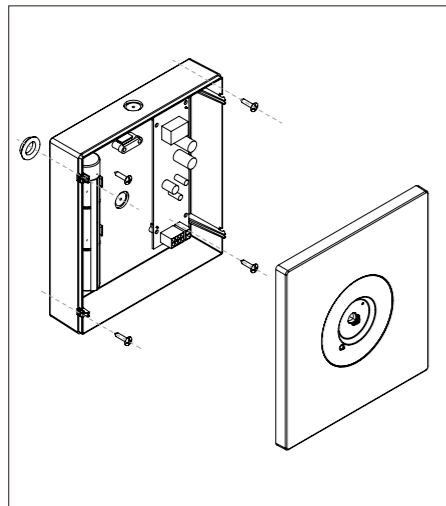
FEITUO EMERGENCY DOWN LIGHT

Emergency LED downlight
Rechargeable Nickel metal hydride battery
Complies with IEC60598-2-22, ROHS

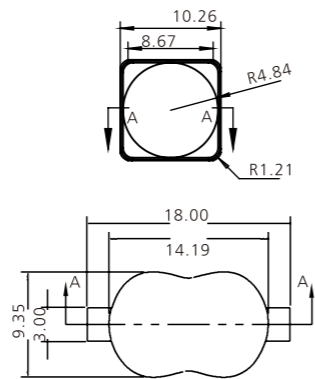


Model No.	185B-3W	185BL-3W	185B-5W	185BL-5W
Mode of operation	No-Maintained	No-Maintained	No-Maintained	No-Maintained
Supply Voltage	220-240V/50-60Hz	220-240V/50-60Hz	220-240V/50-60Hz	220-240V/50-60Hz
Power Consumption	2W MAX	2W MAX	3W MAX	3W MAX
Output Voltage	3.6V	3.6V	3.6V	3.6V
Output Power	2W	2W	4W	4W
Lumen Output	200Lm MAX	200Lm MAX	450Lm MAX	450Lm MAX
Colour Temperature	6000-7000K	6000-7000K	6000-7000K	6000-7000K
Battery	3.6V2000mAh Ni-Cd	3.6V2000mAh Ni-Cd	3.6V4000mAh Ni-MH	3.6V4500mAh Ni-MH
Max Charge Current(mA)	200mA	200mA	300mA	300mA
Max Discharge Current (mA)	720mA	720mA	1450mA	1450mA
Charging Time	24H	24H	24H	24H
Discharge Time	3H	3H	3H	3H
LED	SMD3030-3W	SMD3030-3W	SMD3030-3W	SMD3030-3W
IP Rating	IP20	IP20	IP20	IP20
Safety Classification	II	II	II	II
Certification	CE ROHS	CE ROHS	CE ROHS	CE ROHS

Installation box



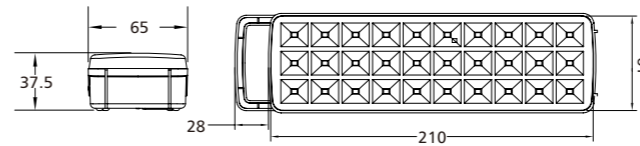
Optional Lens for different usage scenario



CE RoHS

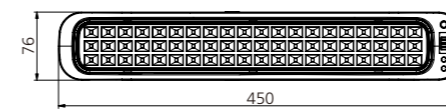
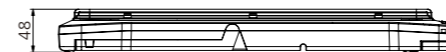
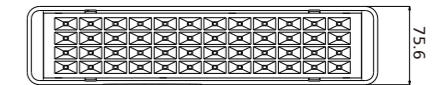
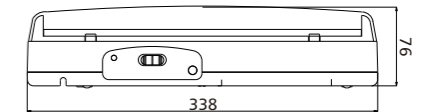
SLIM LINEAR EMERGENCY LIGHT

CE RoHS



Model No.	2128
Mode of operation	Non-Maintained
Lamp	30PCS SMD3528 LED
Battery	3.7V1200mAh Li-ion battery
Rated supply voltage	110-240V
Full change	approx.24hours
Duration	approx 3Hours/Hi, 6Hours/Lo
Lumen Output	100LM/Hi, 80LM/Lo
Colour Temperature	6500k
Packing detail	50X23.6X27CM/30pcs

Model No.	238S-LD
Mode of operation	Non-Maintained
Lamp	48PCS Powerful SMD3528LED
Battery	3.7V2000MAH Li-ion battery Two way Brightness Hi or Lo
Rated supply voltage	100-277V
Full change	approx.24hours
Duration	approx 4H/Hi, 8H/Lo
Lumen Output	200LM/Hi, 100LM/Lo
Colour Temperature	6500k
Packing detail	36X32.5X24cm/15pcs

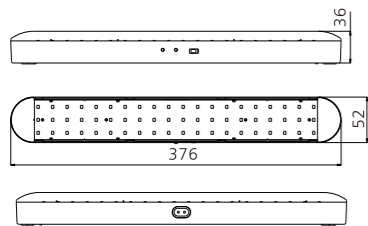


Model No.	918S-LD
Mode of operation	Non-Maintained
Lamp	60PCS Powerful SMD3528LED
Battery	3.7V3000MAH Li-ion battery
Rated supply voltage	100-277V
Full change	approx.24hours
Duration	approx 3H/Hi, 6H/Lo
Lumen Output	300LM/Hi, 150LM/Lo
Colour Temperature	6500k
Packing detail	47.5x27.5x24.5cm/12pcs

FEITUO SLIM LINEAR EMERGENCY LIGHT



Dimension:



CE RoHS

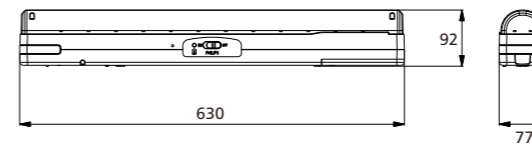
Model No.	9330	9360	9390
Mode of operation	Non-Maintained	Non-Maintained	Non-Maintained
Supply Voltage	220-240V/50-60Hz	220-240V/50-60Hz	220-240V/50-60Hz
Power Consumption	2W	2W	3W
Output Voltage	5V±0.5V	5V±0.5V	5V±0.5V
Output Power	1W	2.5W	5W
Lumen Output	100Lm MAX	240Lm MAX	400Lm MAX
Colour Temperature	6000-7000K	6000-7000K	6000-7000K
Battery	3.6V1000mAH Li-ion	3.6V2000mAH Li-ion	2X3.6V2000mAH Li-ion
Max Charge Current (mA)	200mA	200mA	450mA
Max Discharge Current (mA)	350mA	600mA	1300mA
Charging Time	24H	24H	24H
Discharge Time	3H / 10H	3H / 10H	3H / 10H
LED	SMD3528 30PCS	SMD3528 60PCS	SMD3528 90PCS
IP Rating	IP20	IP20	IP20
Safety Classification	II	II	II
Certification	CE ROHS	CE ROHS	CE ROHS
Packing detail	35X32X17cm/18pcs	35X32X17cm/18pcs	35X32X17cm/18pcs

SLIM LINEAR EMERGENCY LIGHT

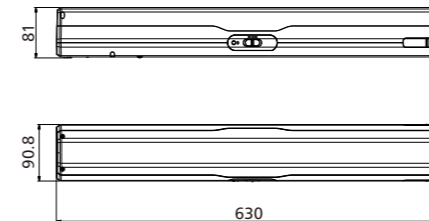


CE RoHS

Model No.	6305LI
Mode of operation	Non-Maintained
Supply Voltage	100-277V
Input power	2W
Output power	3.5W
Lumen Output	350LM
CCT	6000-7000K
Battery	3.7V3000mAH Li-ion
Max Charge Current (mA)	200mA
Max Discharge Current (mA)	1200mA
Charging Time	≤24h
Discharging Time	Strong mode≥3H Weak mode≥6H
Lamp	2835-0.2W*60PCS
IP Rating	IP20
P.F	≥0.4
Certification	CE
Packing detail	67.5x33x18.5cm/6pcs



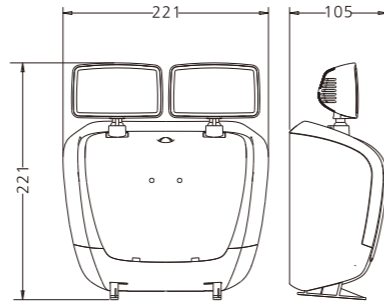
Model No.	6306LI
Mode of operation	Non-Maintained
Supply Voltage	100-277V
Input power	2W
Output power	3.5W
Lumen Output	350LM
CCT	6000-7000K
Battery	3.7V3000mAH Li-ion
Max Charge Current (mA)	200mA
Max Discharge Current (mA)	1200mA
Charging Time	≤24h
Discharging Time	Strong mode≥3H Weak mode≥6H
Lamp	2835-0.2W*60PCS
IP Rating	IP20
P.F	≥0.4
Certification	CE
Packing detail	68x38x17.5cm/6pcs





CE  RoHS

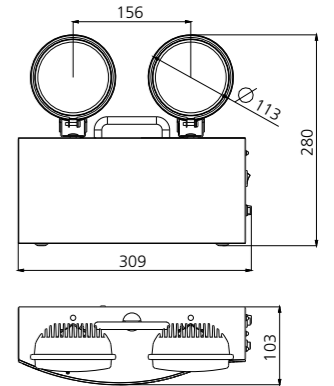
Dimension:



New twin spot emergency light IP20
 Clear polycarbonate diffuser & ABS housing
 COB-20W LED each head provide 657 lumen output
 3 hours non-maintained operation
 Complies with IEC60598-2-22, ROHS

Model No.	9808
Mode of operation(AC/DC/DC)	Non-Maintained
Supply Voltage	AC100-240V-50/60HZ
Power Consumption	6.8W
Output Voltage	36V MAX
Output Power	14W
Lumen Output	1200LM
Colour Temperature	6500-7500K
Battery	12V/7000mAH Sealed Lead-acid Battery
Max Charge Current (mA)	350MA
Max Discharge Current (mA)	1800MA
Charging Time	24H
Discharge Time	3H
LED	COB-20W*2PCS
IP Rating	IP20
Safety Classification	II
Product material	PC+IRON
Use of environment	0-40°C
P.F	0.416
Beam angle	120
CRI	72

Dimension:



High lumen output twin spot emergency light
 Clear polycarbonate diffuser & steel housing
 High-power LED module each head
 2 hours non-maintained operation
 Complies with IEC60598-2-22, ROHS

Model No.	BLA1000	BLA2000
Mode of operation	Non-Maintained	Non-Maintained
Supply Voltage	100-240VAC 50/60Hz	100-240VAC 50/60Hz
Power Consumption	5.5W	5.5W
Output Voltage	6V	6V
Output Power	6W	12W
Lumen Output	400Lm MAX	800Lm MAX
Battery	6V4Ah Lead-acid Battery	6V7.2Ah Lead-acid Battery
Max Charge Current(mA)	450mA	450mA
Max Discharge Current(mA)	1.8A	2.8A
Charging Time	2H	2H
Discharging Time	8H/4H	8H/4H
Lamp	High-power 1W LED*6pcs	High-power 3W LED*6pcs
IP Rating	IP20	IP20
Certification	CE ROHS	CE ROHS
Packing detail	52X33X33.5cm/5pcs 18/17KGS	52X33X33.5cm/5pcs 18/17KGS

CE  RoHS

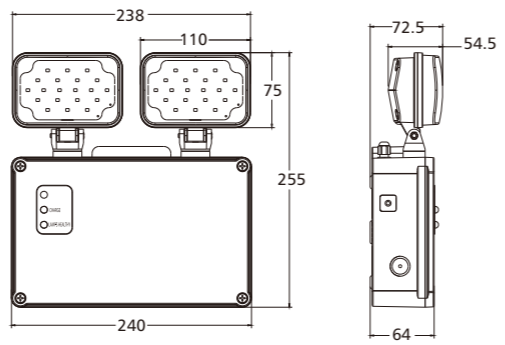


FEITUO TWIN SPOT EMERGENCY LIGHTING

TWIN SPOT EMERGENCY LIGHTING



Dimension:



New twin spot emergency light IP65
 Clear polycarbonate diffuser & ABS housing
 2x20pcs SMD2835 LED each head
 3 hours non-maintained operation
 Complies with IEC60598-2-22, ROHS
 With self-test functions : ZC 2922-600/ZC 2922-1000

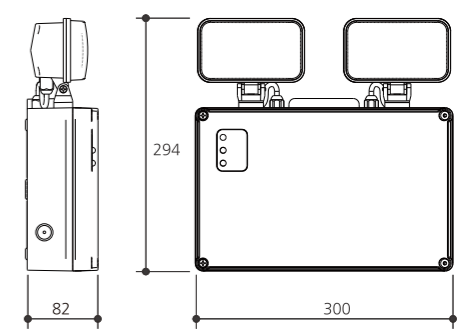
New twin spot emergency light IP65
 Clear polycarbonate diffuser & ABS housing
 2x28pcs SMD2835 LED each head provide 650 lumen output
 3 hours non-maintained operation
 Complies with IEC60598-2-22, ROHS
 With self-test functions : ZC 2921-650/ZC2921-1500

Model No.	2921	2921-1500	2921-2000
Mode of operation	Non-Maintained	Non-Maintained	Non-Maintained
Supply Voltage	220-240V	220-240V	220-240V
Input power	5W	5.5W	5.5W
Output power	10.5W	15W	20W
Lumen Output	650LM	1500LM	2000LM
CCT	6000-7000K	6000-7000K	6000-7000K
Battery	12V2800mAh Ni-Cad Battery	12.8V4500mAh LiFePO4 Battery	12.8V6000mAh LiFePO4 Battery
Max Charge Current (mA)	240mA	350mA	350mA
Max Discharge Current (mA)	1A	1.8A	2.2A
Charging Time	≤24h	≤24h	≤24h
Discharging Time	3H	3H	3H
Lamp	2X28PCS SMD2835LED	2X28PCS SMD2835LED	2X28PCS SMD2835LED
IP Rating	IP65	IP65	IP65
P.F	≥0.4	≥0.4	≥0.4
Certification	CE	CE	CE
Packing detail	44X32X32cm/5pcs 10/9KGS	44X32X32CM/5PCS	44X32X32CM/5PCS

Model No.	2922-600	2922-1000
Mode of operation	Non-Maintained	Non-Maintained
Supply Voltage	220-240V	220-240V
Input power	3W	3W
Output power	6W	10W
Lumen Output	600LM	1000LM
CCT	6000-7000K	6000-7000K
Battery	12.8V2000mAh LiFePO4	12.8V3000mAh LiFePO4
Max Charge Current (mA)	250mA	250mA
Max Discharge Current (mA)	1500mA	2000MA
Charging Time	≤24h	≤24h
Discharging Time	3h	3h
Lamp	2835-0.2W*40PCS	2835-0.5W*40PCS
IP Rating	IP65	IP65
P.F	≥0.4	≥0.4
Certification	CE	CE
Packing detail	45x26.5x28.5cm/6pcs	45x26.5x28.5cm/6pcs



Dimension:



FEITUO LED EMERGENCY DRIVER



Emergency battery pack for led fittings
 4W/8W constant output for most of led loads
 Provides minimum 180 minutes emergency duration
 Rechargeable Nickel cadmium battery
 Plastic housing
 Complies with IEC60598-2-22, ROHS



Model No.	JLEB-53-EU	JLEB-83-EU
Emergency efficiency	Depends on fitting construction	Depends on fitting construction
Input Voltage	AC 220-240V 50/60Hz	AC 220-240V 50/60Hz
Battery	6V4.5AH Nickel Cadmium	9.6V4.5AH Nickel Cadmium
Output power	4W Max	8W Max
Duration time	3 Hours	3 Hours
Charge time	24 Hours	24Hours
Material	ABS	ABS
PCB	Retardant board	Retardant board
Protection Level	IP20	IP20
Indicator	GREEN: Charging	GREEN: Charging
Controller Dimension	190X50X37 mm	190X50X37 mm
Operation	Maintained	Maintained
Certificate	CE, ROHS	CE, ROHS
PCB Warranty	3 years	3 years
Battery Warranty	2 years	2 years
Accessories	Test Button, LED INDICATOR	Test Button, LED INDICATOR

Emergency battery pack for led fittings
 Provides 100% emergency efficiency in emergency mode
 Provides minimum 90 minutes emergency duration
 Rechargeable Nickel cadmium battery
 STEEL housing
 Complies with IEC60598-2-22, ROHS

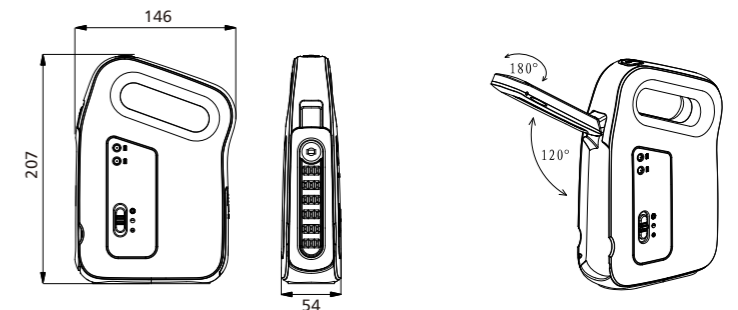


Model No.	JLEB-10-EU	JLEB-20-EU
Emergency efficiency	100%	100%
Input Voltage	AC 220-240V 50/60Hz	AC 220-240V 50/60Hz
Battery	6V5AH Nickel Cadmium	14.4V4AH Nickel Cadmium
Output power	10W Max	20W Max
Duration time	≥90 min	≥90 min
Charge time	24 Hours	24 Hours
Material	Metal	Metal
PCB	Retardant board	Retardant board
Protection Level	IP20	IP20
Indicator	GREEN: Charging	GREEN: Charging
Controller Dimension	19X5X3.7 cm	19X5X3.7 cm
Operation	Maintained	Maintained
Certificate	CE, ROHS	CE, ROHS, SAA
PCB Warranty	3 years	3 years
Battery Warranty	2 years	2 years
Accessories	Test Button, LED indicator	Test Button, LED INDICATOR

PORTABLE RECHARGEABLE LAMP



Model No.	G2LI
Mode of operation	Non-Maintained
Supply Voltage	100-277V
Input power	2.5W
Output power	0.9W
Lumen Output	100LM
CCT	6000-7000K
Battery	3.7V1200mAH Li-ion
Max Charge Current (mA)	250mA
Max Discharge Current (mA)	320mA
Charging Time	≤6h
Discharging Time	Strong mode≥3H Weak mode≥10H, Spotlight≥20H
Lamp	3014-0.2W*18PCS and 3020-1W*1PCS
IP Rating	IP20
P.F	≥0.4
Certification	CE
Packing detail	42x35x26cm/10pcs



FEITUO PORTABLE RECHARGEABLE LAMP



CE RoHS

Model No.	420S-25
Mode of operation	Non-Maintained
Lamp	24PCS SMD3528LED+1PCS SMD5050LED
Battery	3.7V2000MAH Li-ion battery
Full charge	Approx 15-24Hours
Discharge Time	4Hours/24pcs LED 30Hours/1pcs,LED
Packing detail	49.5x32.5x25.5cm/10PCS

Model No.	256LI
Mode of operation	Non-Maintained
Supply Voltage	100-277V
Input power	2.5W
Output power	0.9W
Lumen Output	100LM
CCT	6000-7000K
Battery	3.7V1200MAH Li-ion
Max Charge Current (mA)	250mA
Max Discharge Current (mA)	320mA
Charging Time	≤6h
Discharging Time	Strong mode≥3H Weak mode≥10H
Lamp	2835-0.2W*24PCS
IP Rating	IP20
P.F	≥0.4
Certification	CE
Packing detail	51x37x29cm/10pcs



Model No.	258LI
Mode of operation	Non-Maintained
Supply Voltage	100-277V
Input power	2W
Output power	3.2W
Lumen Output	300LM
CCT	6000-7000K
Battery	3.7V4000MAH Li-ion
Max Charge Current (mA)	200mA
Max Discharge Current (mA)	880mA
Charging Time	≤24h
Discharging Time	Strong mode≥4H Weak mode≥4H
Lamp	2835-0.2W*120PCS
IP Rating	IP20
P.F	≥0.4
Certification	CE
Packing detail	47.5x41x24cm/12pcs

LED TABLE LAMP



MODEL 33305

CE RoHS



MODEL 33301



MODEL 33303



MODEL 33302

